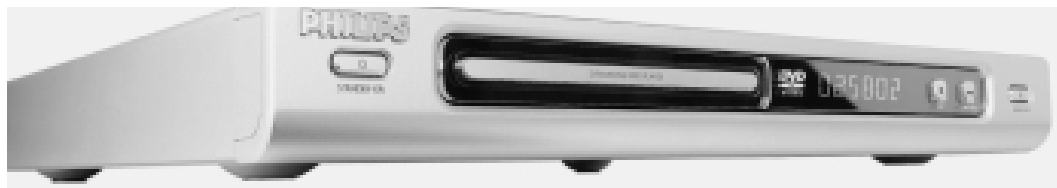
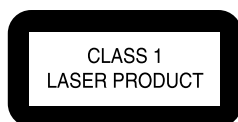


Service  
Service  
**Service**



CL 36532022\_000.eps  
190303

# Service Manual



<b>Contents</b>		<b>Page</b>	
1	Technical Specifications		2
2	Safety Instructions, Warnings, Notes, and Service Hints		3
3	Directions for Use		5
4	Dismantling Instructions and Exploded View		17
5	Diagnostic Software, Trouble Shooting and Test Instructions		19
6	<i>Wiring-, Block Diagrams</i>		
	Block Diagram		25
	Wiring Diagram		26
7	<i>Electrical Diagrams and Print-Layouts</i>	<i>Diagram</i>	<i>PWB</i>
	Power Supply Unit	27	28
	Front Board	29	30
	MPEG Board: Index	(Diagram M1)	31 36-37
	MPEG Board: RF Part	(Diagram M2)	32 36-37
	MPEG Board: Servo Part	(Diagram M3)	33 36-37
	MPEG Board: Mem. & Audio	(Diagram M4)	34 36-37
	MPEG Board: Video Part	(Diagram M5)	35 36-37
8	Alignments	(Not Applicable)	39
9	Circuit Descriptions	(Not Applicable)	39
10	Spare Parts List		40
10	Revision List		43

©Copyright 2003 Philips Consumer Electronics B.V. Eindhoven, The Netherlands.  
All rights reserved. No part of this publication may be reproduced, stored in a retrieval system or transmitted, in any form or by any means, electronic, mechanical, photocopying, or otherwise without the prior permission of Philips.



# 1. Technical Specifications

## Specifications

English

### PLAYBACK SYSTEM

DVD Video  
Video CD & SVCD  
CD  
PICTURE CD  
MP3-CD  
CD-R, CD-RW  
DVD+R, DVD+RW

### VIDEO PERFORMANCE

CVBS 1Vpp --- 75Ω  
RGB (SCART) 0.7Vpp into 75 ohm

### AUDIO FORMAT

Digital	Mpeg/ AC-3/ DTS PCM	compressed Digital 16, 20, 24 bits fs, 44.1, 48, 96 kHz
	MP3(ISO 9660)	24, 32, 56, 64, 96, 128, 256 kbps & variable bit rate fs, 16, 22.05, 24, 32, 44.1, 48 kHz

Analog Sound Stereo

### AUDIO PERFORMANCE

DA Converter	24bit
Signal-Noise (1KHz)	100dB
Dynamic range(1KHz)	>90dB
DVD	fs 96 kHz 4Hz- 44kHz fs 48 kHz 4Hz- 22kHz
SVCD	fs 48 kHz 4Hz- 22kHz fs 44.1kHz 4Hz- 20kHz
CD/VCD	fs 44.1kHz 4Hz- 20kHz

### TV STANDARD (PAL/50Hz) (NTSC/60Hz)

Number of lines	625	525
Playback	Multistandard	(PAL/NTSC)

### CONNECTIONS

Scart Output	Euroconnector
Video Output	Cinch
Audio Output(L+R)	Cinch
Digital Output	1 coaxial IEC958 for CDDA / LPCM/ MPEG1 IEC1937 for MPEG 2, Dolby Digital and DTS

### CABINET

Dimensions (w x d x h)	360 x 285 x 43 mm
Weight	Approximately 2.2 Kg

Specifications subject to change without prior notice

### POWER CONSUMPTION

Power consumption in Standby mode	<1W
-----------------------------------	-----

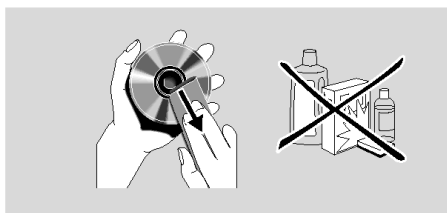
## Maintenance

### Cleaning the Cabinet

- Use a soft cloth slightly moistened with a mild detergent solution. Do not use a solution containing alcohol, spirits, ammonia or abrasives.

### Cleaning Discs

- When a disc becomes dirty, clean it with a cleaning cloth. Wipe the disc from the center out. Do not wipe in a circular motion.
- Do not use solvents such as benzine, thinner, commercially available cleaners, or antistatic spray intended for analog records.



## 2. Safety Instructions, Warnings, Notes, and Service Hints

### 2.1 Safety Instructions

#### 2.1.1 General Safety

Safety regulations require that during a repair:

- Connect the unit to the mains via an isolation transformer.
- Replace safety components, indicated by the symbol ▲, only by components identical to the original ones. Any other component substitution (other than original type) may increase risk of fire or electrical shock hazard.

Safety regulations require that after a repair, you must return the unit in its original condition. Pay, in particular, attention to the following points:

- Route the wires/cables correctly, and fix them with the mounted cable clamps.
- Check the insulation of the mains lead for external damage.
- Check the electrical DC resistance between the mains plug and the secondary side:
  1. Unplug the mains cord, and connect a wire between the two pins of the mains plug.
  2. Set the mains switch to the 'on' position (keep the mains cord unplugged!).
  3. Measure the resistance value between the mains plug and the front panel, controls, and chassis bottom.
  4. Repair or correct unit when the resistance measurement is less than 1 MΩ.
  5. Verify this, before you return the unit to the customer/user (ref. UL-standard no. 1492).
  6. Switch the unit 'off', and remove the wire between the two pins of the mains plug.

#### 2.1.2 Laser Safety

This unit employs a laser. Only qualified service personnel may remove the cover, or attempt to service this device (due to possible eye injury).

##### Laser Device Unit

Type	: Semiconductor laser GaAlAs
Wavelength	: 650 nm (DVD) : 780 nm (VCD/CD)
Output Power	: 20 mW (DVD+RW writing) : 0.8 mW (DVD reading) : 0.3 mW (VCD/CD reading)
Beam divergence	: 60 degree

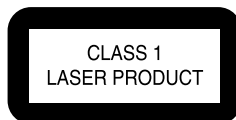


Figure 2-1

**Note:** Use of controls or adjustments or performance of procedure other than those specified herein, may result in hazardous radiation exposure. Avoid direct exposure to beam.

### 2.2 Warnings

#### 2.2.1 General

- All ICs and many other semiconductors are susceptible to electrostatic discharges (ESD, ⚡). Careless handling during repair can reduce life drastically. Make sure that, during repair, you are at the same potential as the mass of the set by a wristband with resistance. Keep components and tools at this same potential. Available ESD protection equipment:
  - Complete kit ESD3 (small tablemat, wristband, connection box, extension cable and earth cable) 4822 310 10671.
  - Wristband tester 4822 344 13999.
- Be careful during measurements in the live voltage section. The primary side of the power supply (pos. 1005), including the heatsink, carries live mains voltage when you connect the player to the mains (even when the player is 'off!'). It is possible to touch copper tracks and/or components in this unshielded primary area, when you service the player. Service personnel must take precautions to prevent touching this area or components in this area. A 'lightning stroke' and a stripe-marked printing on the printed wiring board, indicate the primary side of the power supply.
- Never replace modules, or components, while the unit is 'on'.

#### 2.2.2 Laser

- The use of optical instruments with this product, will increase eye hazard.
- Only qualified service personnel may remove the cover or attempt to service this device, due to possible eye injury.
- Repair handling should take place as much as possible with a disc loaded inside the player.
- Text below is placed inside the unit, on the laser cover shield:

CAUTION VISIBLE AND INVISIBLE LASER RADIATION WHEN OPEN AVOID EXPOSURE TO BEAM  
 ADVARSEL SYNLIG OG USYNLIG LASERSTRÅLING NÅR DEKSEL ÅPNES UNNGÅ EKSPONERING FOR STRÅLING  
 ADVARSEL SYNLIG OG OSYNLIG LASERSTRÅLING NÅR DENNA DEL ÅR ÖPPNAD BETRÄKTA EJ STRÅLEN  
 VARNING SYNLIG OCH OSYNLIG LASERSTRÅLING NÅR DENNA DEL ÅR ÖPPNAD BETRÄKTA EJ STRÅLEN  
 VARNING! AVATT AESSA OLET ALTTIINA NÄKYVÄLLE JA NÄKYMÄTT ÖMÄLLE LASER SÄTELYLLE. ÄLÄ KATSO SÄTEESEEN  
 VORSICHT SICHTBARE UND UNSICHTBARE LASERSTRAHLUNG WENN ABDECKUNG GEÖFFNET NICHT DEM STRAHL AUSSETZEN  
 DANGER VISIBLE AND INVISIBLE LASER RADIATION WHEN OPEN AVOID DIRECT EXPOSURE TO BEAM  
 ATTENTION RAYONNEMENT LASER VISIBLE ET INVISIBLE EN CAS D'OUVERTURE EXPOSITION DANGEREUSE AU FAISCEAU

Figure 2-2

#### 2.2.3 Notes

##### Dolby

Manufactured under licence from Dolby Laboratories. "Dolby", "Pro Logic" and the double-D symbol are trademarks of Dolby Laboratories. Confidential Unpublished Works. ©1992-1997 Dolby Laboratories, Inc. All rights reserved.

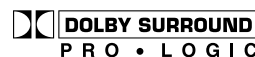


Figure 2-3

##### Trusurround

TRUSURROUND, SRS and symbol (fig 2-4) are trademarks of SRS Labs, Inc. TRUSURROUND technology is manufactured under licence from SRS labs, Inc.



Figure 2-4

### 2.3 Service Hints

#### 2.3.1 Repair tips

**Switched mode power supply**

The power supply unit has to be replaced in case of failure. The schematic diagram provided in the service manual is only for information and no service parts will be available.

**DVD Loader**

The DVD Loader is a non-repairable unit and in case of failure, it has to be replaced with a complete DVD Loader.

**Mpeg board and Front Display**

The Mpeg board and Front display has to be repaired down to component level.

#### 2.3.2 Change of Software setting

The software setting can be change according to the following procedure:

1. Press "OPEN/CLOSE" button on the front of the player to open the disc tray.
2. Enter the 4-digit code <9> <9> <9> <9> on the remote control.
3. Enter one of the keys below to change the software setting.

**REGION CODE**

- USA                    ==> 1
- EUROPE                ==> 2
- AP                     ==> 3
- LATAM                 ==> 4
- INDIA / RUSSIA       ==> 5
- CHINA                 ==> 6

- SUBTITLE 7:**Set to setup configuration of DVD625 / 001
- SUBTITLE 7:**Set to setup configuration of DVD625 / 021
- SUBTITLE 7:**Set to setup configuration of DVD625 / 051

4. The change should effect immediately with information indicated on TV screen.  
**Note:** When changing the setup configuration, the change will take immediate effect with the information indicated on the TV screen for a short period and the tray will close automatically and player will go to standby.

#### 2.3.3 Software upgrade via Download disc

Both the application and servo software are delivered in one sw stack and it can be flashed into the DVD player by means of a CD-ROM disc. The CD-ROM disc has to be made with a CD writer SW.

**Note:**

1. The file name used for writing on the CD-R/RW MUST be in UPPER-CASE.eg: SD542PH.BIN
2. For better and fast reading, add one big garbage file of 50-100MB.

**Software upgrade procedure**

1. Open disc tray on the player.
2. Insert the DOWNLOAD DISC into the player and close disc tray.
3. The upgrading operation will start automatically.
4. The VFD will display the upgrading progress, 'ERASE...'->'WRITE F'->...->'WRITE 0'-> UPGRADE end or the LED will turn ON and OFF)
5. The upgrading will take approximately about 1 minute.
6. Once when the software is upgraded, the disc tray will automatically eject.
7. The player will be restarted automatically and display on VFD will show "NO DISC".

**Important note:**

Do not power off or interrupt the mains during the upgrading else the player's flash memory will be erased.

#### 2.3.4 Verify setting

To check that the setting has change successfully.

1. Press "DISPLAY" button on the remote control while disc tray is open.
2. Two lines text will appear on the TV screen. That is how it looks like.

**SD542PH-030219-728-001N**  
**SERVO:001FC72 REG:2**

In text, the following numbers refer to:

- SD542PH-030219**    ==> refer to Application software version
- REG 2**                ==>refer to region code
- SERVO:001FC72**    ==> refer to servo software version
- 625-001N**            ==> refer to setup configuration of a type number, eg. DVD625/001

#### 2.3.5 ComPair

There is no ComPair available

### 2.4 Service Tools

- Test discs
  - Audio signals disc                                 4822 397 30184
- Torx screwdrivers
  - Set (straight, T2 to T20                             4822 395 50145
  - Set (square, T10, T15, T20to T20                 4822 395 50132

### 2.5 Revision Information

Service Manual Version	: 1.0
Issue Date	: February 21, 2003
Revision Information	: N/A

# 3. Directions for Use

## Contents

English

English

<b>Introduction</b>	
Environmental Information	6
Supplied accessories	6
Safety Information	6
Symbols Used in this Booklet	6
<b>Functional overview</b>	
Front and Rear Panel	7
Remote Control	8
<b>Preparation</b>	
Basic Connection	9
Connecting to a TV	9
Connecting to Optional Equipment	10
Connecting to a Audio System	10
Inserting batteries into the Remote Control	11
Using the Remote Control	11
Switching On	11
Smart Power On/Off	11
<b>Operation</b>	
Basic Playback	12
General Operation	12
Video control during playback	12
Audio control during playback	12
Repeat A-B	13
5 disc Resume	13
OSD (On-Screen Display)	13
Zoom	13
Special DVD Features	14
Playing a Title	14
Playing a Chapter	14
Camera Angle	14
Changing the Audio Language	14
Subtitles	14
Special VCD & SVCD Features	14-15
Playback Control (PBC)	14
Preview Function	15
<b>Picture CD &amp; MP3 CD Playback</b>	
General Operation	16
MP3 & JPEG Navigator	16
Play Mode	16
Special JPEG Features	17
Function Introduction	17
Preview Function	17
Zoom picture	17
Playback with multi-angles	17
Scan Effect	17
Special MP3 Features	17
Function Introduction	17
Playback Speed Control	17
<b>JPEG and MP3 Simultaneous Playback</b>	17
<b>Setup menu</b>	
Basic operation	19
General Setup menu	19
OSD language	19-20
Program	19-20
Disc Lock	20
Display DIM	20
Screen Saver	20
Analog Audio Setup menu	21
DOWNMIX	21
D.R.C	21
Digital Audio Setup menu	21
Digital Output	22
LPCM Output	22
Video Setup menu	22
TV Type	23
TV Display	23
Smart Picture	24
Color Setting	24-25
Preference Setup menu	25
Audio language	25
Subtitle language	26
Disc Menu language	26
Password	26
Parental Control	26
Default Setup	26
MP3/JPEG Navigator	26
<b>Specifications</b>	
Specifications	27
<b>Maintenance</b>	
Maintenance	27
<b>Language Code</b>	
Language Code	28-29
<b>Troubleshooting</b>	
Troubleshooting	30

## Introduction

Thank you for purchasing this Philips DVD player. This Owner's Manual explains the basic operation of this DVD player.

### Environmental Information

All unnecessary packaging has been omitted. We have tried to make the packaging easy to separate into three materials: cardboard (box), polystyrene foam (buffer) and polyethylene (bags, protective foam sheet).

Your DVD player consists of materials which can be recycled and reused if disassembled by a specialized company. Please observe the local regulations regarding the disposal of packaging materials, exhausted batteries and old equipment.

### Supplied accessories

- DVD-Video player
- Remote control with batteries
- Owner's Manual

### Safety Information





- Before operating the DVD player, check that the operating voltage indicated on the typeplate is identical with the voltage of your local power supply. If not, please consult your dealer.
- Place the DVD player on a flat, hard and stable surface.
- There must be sufficient room in front of the player for the drawer to be opened.
- In a cabinet, allow about 2.5cm (1 inch) of free space all around the player for adequate ventilation.
- Do not expose your player to extremes of temperature or humidity.
- If the DVD player is brought directly from a cold to a warm location, or is placed in a very damp room, moisture may condense on the lens of the disc unit inside the DVD player. Should this occur, the DVD player would not operate normally.

Leave the power on for about one hour with no disc in the DVD player until normal playback is possible.

- The mechanical parts of the set contain self-lubricating bearings and must not be oiled or lubricated.
- When the DVD player is switched to Standby mode, it is still consuming some power. To disconnect the system from the power supply completely, remove the AC power plug from the wall socket.

### Symbols Used in this Booklet

The below symbols appear in some headings and notes with the following meanings:

	-Description refers to playback of DVD-video discs
	-Description refers to playback of Video CDs
	-Description refers to playback of Audio CDs
	-Description refers to playback of Super-VCDs

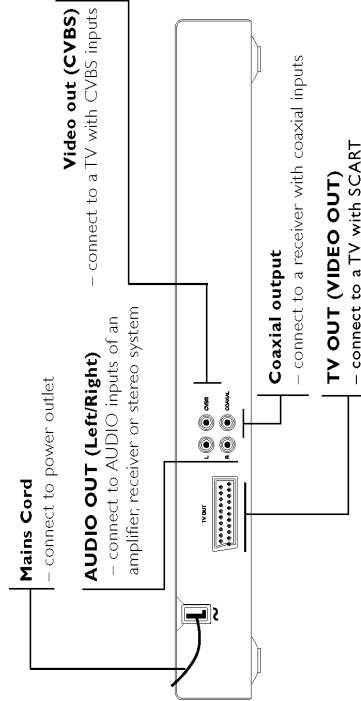
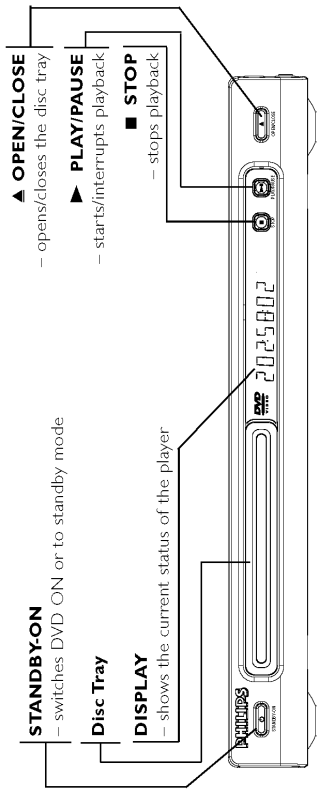
### Helpful Hint

- Some discs limit certain functions during playback (eg fast forward is not working at the beginning of certain discs). This is normal behaviour because the disc determines the way in which you can interact with its content.

## Functional Overview

English

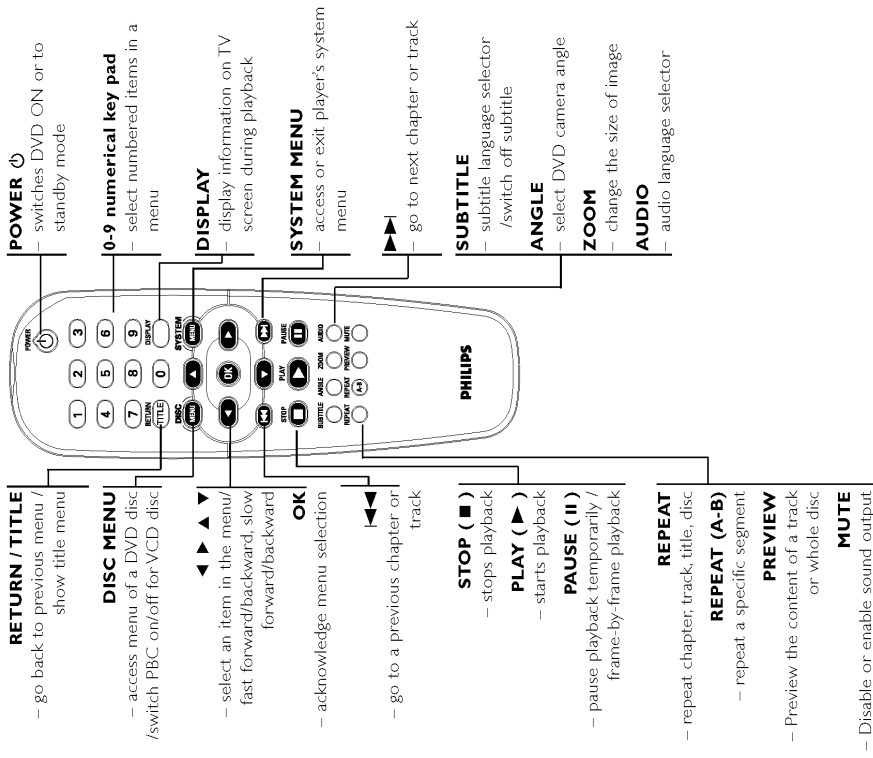
## Front and Rear Panels



**Caution:** Do not touch the inner pins of the sockets on the rear panel. Electrostatic discharge may cause permanent damage to the unit.

7

## Remote Control



**Note:**  
Press "STOP" for about 2 seconds to OPEN or CLOSE disc tray.

8

Preparation

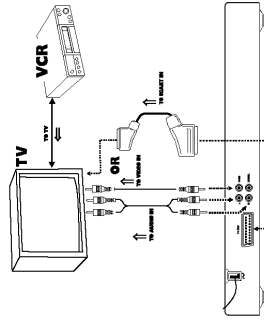
English

Preparation

English

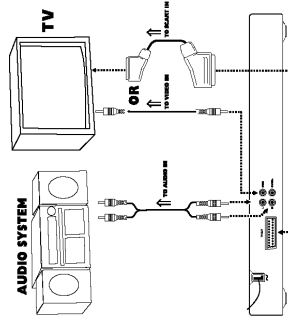
If your TV is not equipped with a SCART input, you can select the following connection:

- **If your TV has a CVBS Video input connector,**
  - 1 Connect the CVBS VIDEO OUT on the DVD player to the CVBS VIDEO IN.
  - 2 Connect the Left and Right AUDIO OUT on the DVD player to the Left and Right AUDIO IN on the TV.



Connecting to an Audio System

- 1 You can also listen to the sound of audio CDs and DVD video discs by connecting to an optional stereo system.
- 2 Connect the Left and Right AUDIO OUT on the DVD player to the Left and Right AUDIO IN on the stereo system.



Basic Connections

- Please refer to the instruction manuals of your TV, VCR, Stereo System or other devices as necessary to make the best connections.
- Make one of the following connections, depending on the capabilities of your existing equipment.

The following guidelines are options for the best picture and sound quality available on your DVD player.

Picture

- 1 Use the CVBS Video Output for good picture quality.
- 2 Use SCART Output for best picture quality.

Sound

- 1 Digital audio connections provide the clearest sound. Connect the DVD player's DIGITAL AUDIO OUT (COAXIAL) to your amplifier or receiver.
- 2 If digital connections are not possible, connect the DVD player's Left and Right (white and red) AUDIO OUT to your amplifier, receiver, stereo or TV.

Warning!

- Never make or change connections with the power switched on.
- Connect the DVD player directly to your TV, instead of eg. a VCR, to avoid distortion because DVD video discs are copy protected.
- Do not connect the DVD player AUDIO OUT to PHONO IN of your amplifier or receiver.

Connecting to a TV

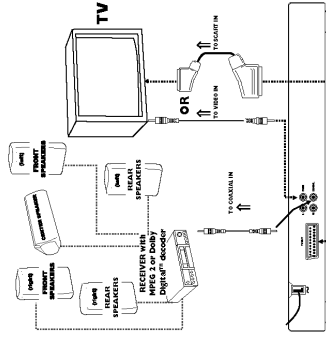
- 1 Connect the SCART (TV OUT) on the DVD player to the corresponding connector (TV IN) on your TV.

Connecting to Optional Equipment

- A digital component with a built-in MPEG 2 or Dolby Digital™ decoder allows you to enjoy the surround sound while producing the effect of being in a movie theater or a concert hall. The player outputs the surround sound signals from the DIGITAL OUT COAXIAL connectors.

If your receiver has a MPEG 2 or Dolby Digital™ decoder,

- 1 Connect the COAXIAL DIGITAL AUDIO OUT of the DVD player to the COAXIAL DIGITAL AUDIO IN on your receiver.



Notes:

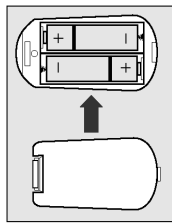
- If the audio format of the digital output does not match the capabilities of your receiver, the receiver will produce a distorted sound or no sound at all.
- To see the selected audio format of the current DVD in the Setup Menu, refer to "Setup Menu".

## Preparation

English

### Inserting batteries into the Remote Control

- 1 Open the battery cover by pressing in the tab, then lift off the cover.
- 2 Insert batteries with the correct polarity as indicated by the + and - symbols inside the battery compartment.
- 3 Close the cover.



#### CAUTION!

- Remove batteries if they are exhausted or not to be used for a long time.
- Do not use old and new or different types of batteries in combination.
- Batteries contain chemical substances, so they should be disposed off properly and kept away from children.

### Using the Remote Control

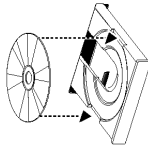
- Direct the remote control at the remote sensor of the DVD player.
- Do not drop or give the remote control a shock.
- Do not leave the remote control in extremely hot or humid places.
- Do not spill water or put anything wet on the remote control.

## Operation

English

### Basic Playback

- 1 Press STANDBY/ON on the front panel to turn on the DVD player.
- 2 Press OPEN/CLOSE on the front panel to open disc loading tray.
- 3 Place the chosen disc in the tray, with the label facing up.
- 4 Press OPEN/CLOSE again to close the tray. → After recognizing the disc, the player begins to playback automatically.



#### Notes:

- DVDs may have a region code. Your player will not play discs that have a region code different from the region code of your player.
- If "Disc Lock" is set to LOCK and the disc inserted is not authorized, the 6-digit code must be entered and/or the disc must be authorized (see "Disc Lock").

### General Operation

Note: All instructions set out below refer to the remote control, unless otherwise stated.

### Video control during playback

- 1 **STOP/PLAY** If you press the STOP key once, you can later resume from the point at which you stopped by pressing the PLAY key. The player will start from the beginning of the disc if you pressed the STOP key twice.
  - 1 **PAUSE/STEP** To get a still picture, press PAUSE key during playback.
  - 2 To step forward to the next frame picture, press PAUSE key again.
  - 3 To resume normal playback, press PLAY.
- 1 **SEARCH** To search the contents in fast speed, press the ► or ◀ for fast forward/backward searching.
- 2 Press the ◀ or ► again to increase the speed for searching.
- 3 Press PLAY to return to normal playback.

### Slow Motion

- 1 To get a slow motion effect during playback, press ▲ or ▼.
- 2 Press ▲ or ▼ again, you can get different playback forward/backward speeds.
- 3 Press PLAY to return to normal play back.
  - 1 **VCD** To get a slow motion effect during playback, press ▼.
  - 2 Press ▼ again, you can get different playback forward speeds.
  - 3 Press the PLAY key to return to normal play back.
 

NOTE:  
- The SLOW BACKWARD function is not available for Super VCD/VCD/CD discs.

### Audio control during playback

- 1 **MUTE** Press the MUTE key to disable the sound output.
- 2 Press the MUTE key again to deactivate mute.

### Audio channel selection

- 1 **VCD** SuperVCD has two stereo audio channels which are used for playing karaoke or the audio language selection. (For instance, you can choose one channel for only the music background of the song while you play the karaoke.)
- 2 Press the AUDIO key on the remote control to select the audio channels you want.
- 3 VCD has only one stereo audio channel, you can select STEREO, LEFT MONO, RIGHT MONO or MIX-MONO by pressing the AUDIO key on the remote control.
  - STEREO: Output the left and right audio channels of the disc through the left and right audio sockets accordingly
  - LEFT MONO: Output the left audio channels of the disc through the left and right audio sockets.
  - RIGHT MONO: Output the right audio channels of the disc through the left and right audio sockets.
  - MIX-MONO: each of the audio sockets can output the same audio effect as stereo.

Note: If you choose digital audio output and set DIGITAL OUTPUT to ALL, you can not select LEFT MONO and RIGHT MONO with the AUDIO key.



## Operation

English

### Repeat



#### Repeat chapter/title/disc

- To repeat the current chapter, press REPEAT.
- To repeat the current title, press REPEAT a second time.
- To repeat the whole disc, press REPEAT a third time.
- To exit REPEAT mode, press REPEAT again.

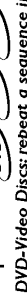


#### Repeat track/disc

With PBC OFF:

- To repeat the current track, press REPEAT.
- To repeat the entire disc, press REPEAT a second time.
- To exit Repeat mode, press REPEAT again.

### Repeat A-B

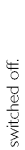
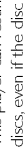
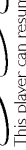


#### DVD-Video Discs: repeat a sequence in a title

- 1 Press REPEAT A-B at your chosen starting point.
- 2 Press REPEAT A-B again at your chosen end point.
- 3 The repeat sequence begins.

To exit the sequence, press REPEAT A-B.

### 5 Disc Resume



- This player can resume playback of the last 5 discs, even if the disc was ejected or the power switched off.
- 1 Load one disc, which is one of the last 5 discs.
  - 2 Press PLAY when DVD player is recognizing the disc. If the information of this disc has been stored in the memory of DVD player, it will be played back from the stop point last time.

**NOTE:** This function is NOT available for some DVD discs.

## Operation

English

### Special DVD Features

#### Playing a Title

A DVD disc may have one or more titles. This depends on the content (a movie, video clips, a drama series, etc.) on the disc.

- After you load a disc, information about the content shows on the screen waiting for your selection. You can also press the TITLE key on the remote control to turn back to the title menu during playback.
- Press the appropriate numerical key or **▲▼** keys on the remote control to highlight your selection.
- Press the OK key to confirm.

#### Playing a Chapter

When you have selected a title, it may include one or more chapters.

- Any time you want to watch another chapter during playback, press DISC MENU key to turn back to the chapter menu (if disc has chapter menu).
- Press the appropriate numerical key or **▲▼** keys on the remote control to highlight your selection.
- Press the OK key to confirm.
- After a chapter has been selected, you also can press the **◀▶** or **▶▶** key to make a change.

### Camera Angle, DVD

Some discs contain scenes which have been shot simultaneously from various angles.

This DVD player allows you to select the desired camera angle.

- Press the ANGLE key on your remote control.
- NOTE:** The function is available only for the DVD discs which have several angles recorded.

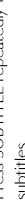
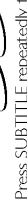
### Changing the Audio Language



Press AUDIO repeatedly to select the different languages.

**NOTE:** The function will be activated only if the DVD is recorded with multi-language audio tracks.

### Subtitles



Press SUBTITLE repeatedly to select the different subtitles.

- Press SUBTITLE for about 2 seconds to switch subtitle on or off.

**NOTE:** The function will be activated, only if the DVD or SuperVCD is recorded with multi-subtitles.

### Special VCD & SVCD Features

#### Playback Control (PBC)

PBC function allows you to enter the index menu which is used to select a track after loading the VCD & SVCD disc.

**If you want to activate the function during the playback or after pressing the STOP key twice,**

- 1 press the DISC MENU key on the remote control to set the PBC On.
- 2 Pay attention to the hint on the screen. Use the **◀▶** or **▶▶** key to select the page you like.
- 3 If the items of the index menus are numbered, press the appropriate numerical key on the remote control.
- press the OK key to confirm.
- Press the RETURN key to enter the index menu during the playback.

#### NOTE:

- The content of the index menu depends on the disc. Please refer to the disc's instructions for details.
- If the disc doesn't include the PBC information, this function will have no effect.

**If you want to skip the index menu and**

- 1 **playback directly from the beginning,** press the DISC MENU key on the remote control to switch off the function.

Picture CD & MP3 Playback

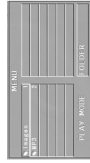
English

This player can playback JPEG format pictures and MP3 files on a personally recorded CD-R/RW disc or commercial CD, and is compatible with Kodak Picture CD. Playback pictures or songs one by one automatically.

- Album and track selection.
- Repeat (disc / album / track / picture).
- Select any music or pictures from the disc to playback them together.
- Maximum number of files within one folder is 500.
- Maximum files Programmable is 100.
- MP3: Maximum supported bitrate is 256kbits or 48kHz in Variable bitrate mode.
- JPEG: Maximum supported resolution is 3072 x 2048 (for baseline JfG pictures), or 2000 x 1500 (for progressive JfG pictures).

General Operation

If you choose WITH MENU in the Setup Menu (Please refer to the MP3 & JPEG navigator below), the Picture CD/MP3 CD menu will be shown on the screen before playback.



- At any time during playback, press DISC MENU to return to the menu for Selection/Repeat / Shuffle / Single playback.
- Both columns on every page of the menu contain six files or folders; you can press ◀▶ to highlight either of the column and then press ▶▶ or ◀◀ to open the next or previous six files or folders.

MP3 & JPEG Navigator

To select a different playback method, follow the steps below.

- 1 At STOP mode, press the SYSTEM MENU key to open the setup menu.
- 2 Press the ▲▼ key to highlight PREFERENCE.
- 3 Press OK to open the PREFERENCE menu.
- 4 Press the ▲▼ key to highlight the MP3/JPEG NAV menu.
- 5 Press the ▶ key to enter the menu.
- 6 Press the ▲▼ key to highlight the WITHOUT MENU or WITH MENU item.
  - WITHOUT MENU: automatically playback all files in according date sequence.
  - WITH MENU: playback files in the selected folder.
- 8 Press the OK key to confirm your selection.

Operation

English

2 Disc Interval

This function is used to divide a disc into six parts by regular intervals and display them on one page to help you preview the whole disc.



- To choose the desired track, please press ▲▼◀▶ to highlight the second line and input your numerical selection next to "SELECT".
- Press the OK key to confirm.


3 Track Interval

This function is used to divide a single track into six parts by regular intervals and display them on one page to help you preview the selected track.



- To choose the desired track, please press ▲▼◀▶ to highlight the second line and input your numerical selection next to "SELECT".
- Press the OK key to confirm.

Preview Function

- Press the PREVIEW key to enter previewing menu.
  - Press ▲▼ key to highlight TRACK DIGEST, DISC INTERVAL or TRACK INTERVAL.
  - Press OK key to open one option.
- 
- After you enter the menu of any digest type,
    - To quit preview function: Press ▲▼◀▶ to highlight EXIT and press OK to confirm.
    - To return to the previewing menu for selecting the other digest type: Press ▲▼◀▶ to highlight MENU and press OK to confirm.

1 Track Digest

This function will minimize the picture of every track in order to display every six of these tracks on the screen to help you know the content of every track on the disc.



- To choose the desired track, please press ▲▼◀▶ to highlight the second line and input your selected track number next to "SELECT".
- Select the others from the current six by pressing the ◀◀ or ▶▶ key to open the previous or next page.
- Press the OK key to confirm.

Play Mode

**Auto Playback**  
If you choose WITHOUT MENU, the DVD player will automatically playback Picture CD/MP3 CD in sequence when it is loaded.

**Playback Selection**  
One way is to press the number of your favourite file at any time during playback.  
Another way is to select via the menu (after pressing STOP).

- 1 Press DISC MENU to open the Picture CD/MP3 CD menu.
- 2 When the menu appears on the screen, press the ▲▼ key to select the folder you want and press the OK to open it.
- 3 Press the ▶ key to enter the file list.



- 4 Press the ▲▼ key to highlight one option, or press its number:
  - You also can press ▶▶ or ◀◀ to go to the next or previous page.
  - press OK key to confirm.
  - The playback will start from this selected file to the last in this folder.
- 5

Repeat / Shuffle / Single Playback

- When the Picture CD/MP3 CD menu is shown on the screen, Press REPEAT key repeatedly, the button beside PLAY MODE will display different option.
  - SINGLE: The file plays once.
  - REPEAT ONE: For JPEG files, the current picture remains on the screen. For MP3 music, the selected song plays repeatedly.
  - REPEAT FOLDER: All files in the folder play repeatedly.
  - SHUFFLE: All files are played randomly.
  - If you press REPEAT key during playback, the option will be displayed on the screen accordingly.

Program Playback

- 1 When the Picture CD/MP3 CD menu is shown on the screen, Press DISC MENU key.
  - The left column is the original files and the right one is the programmed files.



- 2 Press the ▲▼ key to select one file.
  - You also can press ▶▶ or ◀◀ to open the next six files to choose.

Picture CD & MP3 Playback

English

- Press OK or PLAY key to add the selected file from the left column to the right column.  
→ The maximum is 100 files.
- Press STOP key to remove the programmed file from the right column.
- Highlight one file of the right column and press OK key then the programmed files will start playing back.

**Special JPEG Features**

**Function Introduction**  
Picture CD is a disc with a collection of JPEG format pictures, and all extension filenames should end with 'JPG'; The CD can be recorded on any computer, and pictures may be from digital camera or scanner. If the customers prefer, they can make this CD become a Digital Album.

- You can choose any general function introduced in GENERAL OPERATION, besides, you also can,
  - Display the thumbnails of 12 pictures.
  - Zoom the picture.
  - Rotate the picture.
  - Flip the picture vertically or horizontally.
  - Scan pictures by different effects.

**Preview Function**

This function shows the content of the current folder or the whole disc.  
1 Press the STOP key during playback of JPEG pictures. You will see the thumbnails of 12 pictures on the screen.



- Press **▶▶** or **◀◀** key to display the other pictures on the next or the previous page.
- Press the **◀▶** key to highlight one of them and press OK to playback; or Move the cursor to highlight SLIDE SHOW on the bottom of the page to start playback from the first picture on the current page.
- Press DISC MENU to go to the Picture CD/MP3 CD menu.

**Zoom picture**

- During playback, press ZOOM key to display the picture with different scales.
- Press the **◀▶** key to view the rest of the zoomed picture.

- **Playback with multi-angles**  
When displaying one picture on TV screen Press the **▲▼◀▶** key to get different effects.  
▲ key: Flip the picture vertically.  
▼ key: Flip the picture horizontally.  
◀ key: rotate the picture anti-clockwise.  
▶ key: rotate the picture clockwise.

**Scan Effect**

Press ANGLE key repeatedly to choose different scan effects.

**Special MP3 Features**

**Function Introduction**  
"MP3" stands for "MPEG Audio Layer-3", and is a part of the MPEG standard. A CD can store up to 10 hours of MP3 audio, which is nearly 10 times as much as an Audio CD. Each song is recorded as a file. You can choose any general function introduced in GENERAL OPERATION. You can also choose different playback speeds.

**Playback Speed Control**

- Press RETURN/TITLE key to switch to MP3+NAV mode.
- Press **◀▶** you can get different playback backward/forward speeds.
- You also can press **▶▶** or **◀◀** to change the tracks.

**JPEG and MP3 simultaneous playback**

- Firstly playback MP3 music according to the instructions introduced in playback Selection.
- Please switch to MP3+JPEG+NAV by pressing RETURN/TITLE.
- Then select a picture to playback. Please refer to the instructions introduced in playback Selection.  
→ Now the pictures will be played back in sequence together with MP3 music.
- To quit simultaneous playback, press DISC MENU key to return to the Picture CD/MP3 CD menu, then pictures will be stopped. After that, press STOP key, then MP3 music will be stopped as well.

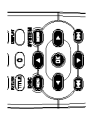
**Note:** In the function of JPEG and MP3 Simultaneous Playback, **▶▶** and **◀◀** keys are invalid for MP3.

Setup Menu

English

**Basic Operation**

- Press SYSTEM MENU in the STOP mode to enter the Setup Menu.
- Press the OK key to go to the next level submenu or confirm your selection.
- Press the **◀▶** keys to enter the submenu or return to the previous menu.
- Press the **▲▼** keys to highlight the desired menu.
- Press SYSTEM MENU to quit the setup menu.  
→ When you quit the setup menu, the settings will be stored in the player's memory even if the player is switched to power off.



**General Setup menu**

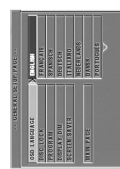
Some settings need to be made in this menu. They are: DISC LOCK, PROGRAM, DISPLAY DIM, OSD LANGUAGE and SCREEN SAVER. Follow the steps below:



- Press the SYSTEM MENU key to enter the setup menu.
- Press the **▲▼** keys to choose the GENERAL SETUP.
- Press the OK key to confirm selection.

**OSD language**

This option is to select a language for information displayed on TV screen.



- Press the **▲▼** keys to highlight OSD LANGUAGE in the GENERAL SETUP menu.
- Enter its submenu by pressing the **▶** key.
- Move the cursor by pressing the **▲▼** keys to highlight the selected language.
- Press the OK key to confirm.
- Press the **◀** key to return to the GENERAL SETUP menu.

**Program (not for Picture CD/MP3)**



- To choose PROGRAM, press **▲▼** keys.
- Press the **▶** key to move the cursor to the field of the submenu to choose the item INPUT MENU.  
→ INPUT MENU; Enter the PROGRAM item.
- Press OK to enter the program page.



**Input your favorite track**

- Input valid track number by pressing the numerical keys.
- Press the **◀▶** keys to move the cursor to the next selected position.  
→ If the track number is more than ten, press **▶▶** to open the next page and go on programming, or press **◀◀** to highlight NEXT button, and then press OK.
- Repeat this steps to input another track number until the whole program is completed.

**Remove a track**

- Press the **◀▶** keys to move the cursor to the track you want to remove.
- Press OK or PLAY key to remove this track from the program menu.

**Playback tracks**

- When programming is completed, Press the **◀▶** keys to move the cursor to the START button.
- Press OK.  
→ DVD player will playback the selected tracks under the programmed sequence.

## Setup Menu

English

**Quit the program playback**

- 1 Press the **▶▶▶▶▶** keys to move the cursor to the EXIT button.
- 2 Press the **OK** key to quit this menu.

**Stop the program playback**

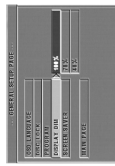
- During playback of the programmed tracks, press **STOP** key. Then after you press **PLAY** key, the DVD player will resume normal playback.

**Repeat the program playback**

- During playback of the programmed tracks, press the **REPEAT** key. The programmed tracks can be played again.

**Display Dim**

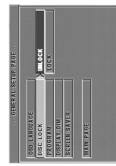
This function is used to adjust the brightness of display on the front panel of the DVD player.



- 1 Press the **▶▶▶** keys to highlight **DISPLAY DIM** in the GENERAL SETUP menu.
- 2 Enter its submenu by pressing the **▶** key.
  - Press the **▶▶▶** keys to highlight **100%/70%/40%** item.
- 3 Press **OK** to confirm.
- 4 Press the **◀** key to return to the GENERAL SETUP menu.

**Disc Lock**

When the disc is locked, the player will store its specific code into the memory for future identification. For the next playback, the DVD player will prompt you to enter the password. Then, press **OK** to load the disc.



## Setup Menu

English

- 1 Press the **▶▶▶** keys to highlight **DISC LOCK** in the GENERAL SETUP menu.

- 2 Enter its submenu by pressing the **▶** key.
  - **LOCK**: Lock the disc being played.
  - **UNLOCK**: unlock the disc.

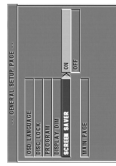
- 3 Press the **◀** key to return to the GENERAL SETUP menu.

**NOTE:**

1. *When a locked disc is loading, the DVD player will prompt you to enter your password (842100 is the default password).*
2. *To change the password, refer to the option PASSWORD in the PREFERENCE SETUP menu.*

**Screen Saver**

This function is used to turn the screen saver on or off.



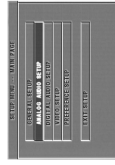
- 1 Press the **▶▶▶** keys to highlight **SCREEN SAVER** in the GENERAL SETUP menu.
- 2 Enter its submenu by pressing the **▶** key.
- 3 Move the cursor by pressing the **▶▶▶** keys to highlight the selected item.
  - **ON**: in STOP or No DISC mode, if no actions are performed within 5~6 minutes, the screen saver will be activated.
  - **OFF**: Screen saver is disabled.
- 4 Press **OK** to confirm.
- 5 Press the **◀** key to return to the GENERAL SETUP menu.

## Setup Menu

English

**Analog Audio Setup menu**

This menu contains setup options for your analog audio output, such as **DOWNMIX**, **D.R.C.** (Dynamic Range Compression) etc, which makes the DVD player reproduce high quality surround sound.



- 1 Press **SYSTEM MENU**.
- 2 Press the **▶▶▶** keys to highlight the **ANALOG OUTPUT SETUP**.
- 3 Press **OK** to confirm.

**DOWNMIX**

- 1 Press the **▶▶▶** keys to highlight the **DOWNMIX**.
- 2 Enter its submenu by pressing the **▶** key.
- 3 Move the cursor by pressing the **▶▶▶** keys to highlight the selected item.
  - **L/R**: This option should be used only if your DVD player is connected to a Dolby Prologic decoder **STEREO**.
  - **D**: This option will downmix Dolby Digital signals directly into analogue stereo from **L/R** sockets.
- 4 Press **OK**.
- 5 Press the **◀** key to return to the **ANALOG OUTPUT SETUP** menu.

**D.R.C. (Dynamic Range Compression)**

The DVD player will compress the dynamic range of its sound output for late-night listening. Press the **▶▶▶** keys to highlight **D.R.C.**. Enter its submenu by pressing the **▶** key. Move the cursor by pressing the **▶▶▶** keys to highlight the selected item.
 

- **ON**: Enable **D.R.C.**.
- **OFF**: Disable **D.R.C.**.

 Press **OK**. Press the **◀** key to return to the **ANALOG OUTPUT SETUP** menu.

**Digital Audio Setup menu**

In this menu, you can set up the digital audio output signal from the digital terminals, such as coaxial etc.

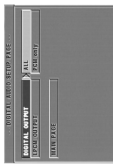


- 1 Press **SYSTEM MENU** to enter the **SETUP** menu.
- 2 Press the **▶▶▶** keys to choose the **DIGITAL OUTPUT SETUP**.
- 3 Press **OK**.

Setup Menu

English

Digital Output

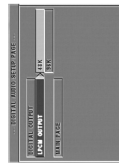


- 1 Press the **▲▼** keys to highlight DIGITAL OUTPUT.
- 2 Enter its submenu by pressing the **▶** key.
- 3 Press the **▲▼** keys to highlight the selected item.  
 → ALL: Original digital signal is output.  
 → PCM ONLY: If your receiver is PCM-compatible, or your receiver can not decode MPEG-2, Dolby Digital, or DTS audio, choose this option.
- 4 Press OK.
- 5 Press the **◀** key and return to the DIGITAL OUTPUT SETUP menu.

**Note:** if DIGITAL OUTPUT is set to ALL, all audio settings except MUTE are invalid.

LPCM Output

If you connect the DVD player to a PCM compatible receiver via the digital terminals, such as coaxial etc, you may need to select LPCM OUTPUT.  
 Discs are recorded at a certain sampling rate. The higher the sampling rate, the better the sound quality.



- 1 Press the **▲▼** keys to highlight the LPCM OUTPUT.
- 2 Enter its submenu by pressing the **▶** key.
- 3 Move the cursor by pressing the **▲▼** keys to highlight the selected item.  
 → 48K: Playback a disc recorded at the sampling rate of 48kHz.  
 → 96K: Playback a disc recorded at the sampling rate of 96kHz.
- 4 Press OK.
- 5 Press the **◀** key to return to the DIGITAL OUTPUT SETUP menu.

Setup Menu

English

Video Setup menu

There are items included in VIDEO SETUP menu such as TV TYPE, VIDEO OUTPUT, TV DISPLAY, TV MODE, SMART PICTURE, COLOR SETTING.



- 1 Press STOP.
- 2 Press SYSTEM MENU to enter the menu.
- 3 Highlight VIDEO SETUP by pressing the **▲▼** keys.
- 4 Press OK.

TV Type

Before viewing the DVD or VCD, ensure that the PAL or NTSC setting of the system matches your TV set.



- 1 Press the **▲▼** keys to highlight TV TYPE in the VIDEO SETUP menu.
- 2 Enter its submenu by pressing the **▶** key.
- 3 Move the cursor by pressing the **▲▼** keys to highlight one option.
- 4 Press OK.
- 5 Press the **◀** key to return to the VIDEO SETUP menu.

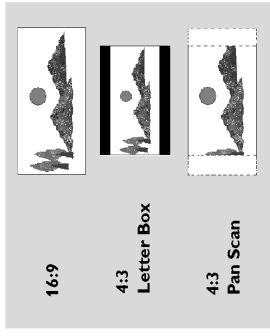
NTSC/PAL Conversion  
 This player is equipped with a NTSC/PAL conversion feature to convert the video output of the disc to match your TV system. The conversions supported are as below:

Type	Disc Format	Output format	
		Selected mode	MULTI
DVD	NTSC	PAL	NTSC
	PAL	NTSC	PAL
VCD	NTSC	PAL	NTSC
	PAL	NTSC	PAL

Notes:

- MULTI can only be selected when using a TV that has both the NTSC and PAL systems.
- If you have a multi-standard TV (PAL/NTSC), use the MULTI setting to obtain the best picture quality.

TV Display



Select the aspect ratio of the TV to be connected.  
**16:9** → when you connect a wide-screen TV to the DVD player.  
**4:3 LETTERBOX** → when you connect a normal TV to the DVD player. Displays a wide picture with bands displayed on the upper and lower portions of the TV screen.  
**4:3 PAN SCAN** → when you connect a normal TV to the DVD player. Displays the wide picture on the whole TV screen with a portion automatically cut off.



Setup the item as follows.

- 1 Press the **▲▼** keys to highlight the TV DISPLAY option in the VIDEO SETUP menu.
- 2 Enter its submenu by pressing the **▶** key.
- 3 Move the cursor by pressing the **▲▼** keys to highlight the selected item.
- 4 Press OK.
- 5 Press the **◀** key to return to the VIDEO SETUP menu.

**Note :** PanScan output is not available on all discs.

## Setup Menu

English

English

### Smart Picture

In this menu, you can choose a picture setting from a fixed set of ideal predefined picture settings.



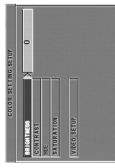
- 1 Press the **▲▼** keys to highlight SMART PICTURE in the VIDEO SETUP menu.
- 2 Press the **▶** key to highlight the item of the submenu.
- 3 Press the **▲▼** keys to choose an item.
  - STANDARD: select a standard picture setting.
  - BRIGHT: make the TV picture brighter.
  - SOFT: make the TV picture softer.
  - PERSONAL: achieve the color effect set in the COLOR SETTING menu.
- 4 Press OK.
- 5 Press **◀** key to return to the VIDEO SETUP menu.

### Color Setting

In this menu you can personalize the picture color by adjusting brightness, contrast, hue and saturation.

- 1 Press the **▲▼** keys to highlight COLOR SETTING in the VIDEO SETUP menu.
- 2 Press OK to open its submenu.

### Brightness



- 1 Press the **▲▼** keys to highlight BRIGHTNESS in the COLOR SETTING menu.
- 2 Press the **▶** key to open the level bar.
  - Display at the bottom of the screen.
- 3 Press the **▶◀** keys to increase and decrease the brightness level.
- 4 Press the **▲▼** or OK key to return to the COLOR SETTING menu.

## Setup Menu

English

English

### Contrast

Press the **▲▼** keys to highlight CONTRAST in the COLOR SETTING menu.

- 2 Press the **▶** key to open the level bar.
  - Display at the bottom of the screen.
- 3 Press the **▶◀** keys to increase and decrease the contrast level.
- 4 Press the **▲▼** or OK key to return to the COLOR SETTING menu.

### Hue

Press the **▲▼** keys to highlight HUE in the COLOR SETTING menu.

- 2 Press the **▶** key to open the level bar.
  - Display at the bottom of the screen.
- 3 Press the **▶◀** keys to increase and decrease the hue level.
- 4 Press the **▲▼** or OK key to return to the COLOR SETTING menu.

### Saturation

Press the **▲▼** keys to highlight SATURATION in the COLOR SETTING menu.

- 2 Press the **▶** key to open the level bar.
  - Display at the bottom of the screen.
- 3 Press the **▶◀** keys to increase and decrease the saturation level.
- 4 Press the **▲▼** or OK key to return to the COLOR SETTING menu.

### Preference Setup menu

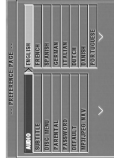
There are options included in PREFERENCE menu such as AUDIO, SUBTITLE, DISC MENU, PARENTAL, PASSWORD, DEFAULT and MP3/JPEG NAV.



- 1 Press the STOP key twice.
- 2 Press SYSTEM MENU to enter the menu.
- 3 Highlight the PREFERENCE SETUP by pressing the **▲▼** keys.
- 4 Press OK to confirm your selection.

### Audio language

DVD discs are available with multiple audio languages. Use this option to select the preferred default audio language.



- 1 Press the **▲▼** keys to highlight AUDIO.
- 2 Enter the submenu by pressing the **▶** key.
- 3 Move the cursor by pressing the **▲▼** keys to highlight the selected option.
- 4 Press OK.
- 5 Press the **◀** key to return to the PREFERENCE menu.

**NOTE:**Your DVD disc may not include the audio language which you set in the AUDIO menu. If so, the player will use another audio language instead.

Setup Menu

English

Setup Menu

English

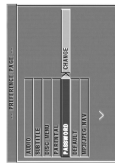
If you choose OTHERS in AUDIO, SUBTITLE or DISC MENU menu,

You can select other languages. Please do as follows.

- 1 Move the cursor by pressing the **▲▼** keys to highlight OTHERS.
- 2 Press **OK**.
- 3 The DVD player will prompt you to enter a language code (four digits). Input a language code by pressing numerical keys.
- 4 Please look up the preferred language code in the chapter LANGUAGE CODE, which can be found at the end of this manual.

Password

This item is used for the parental control and disc lock. Enter your six digit password when a hint is displayed on the screen.



- 1 Press the **▲▼** keys to highlight the PASSWORD option.
- 2 Enter the submenu by pressing the **▶** key.
- 3 Press **OK** key to open the PASSWORD CHANGE page.



- 4 Enter the current 6 digit code.
- 5 If successful, the player will prompt for a new one.
- 6 After that, enter the new password again to reconfirm.
- 7 Press the **OK** key to return to the PREFERENCE menu.

→ The new 6 digit code will take effect.

NOTE

1. You can change the setup of parental control and load a locked disc with a valid password being entered.
2. If you forget your password, you can enter the default password 842100.

**Subtitle language**  
DVD discs are available with multi-subtitle languages. Use this option to select the preferred default subtitle language.



- 1 Press the **▲▼** keys to highlight SUBTITLE.
- 2 Enter the submenu by pressing the **▶** key.
- 3 Move the cursor by pressing the **▲▼** keys to highlight the selected option.
- 4 Press **OK**.
- 5 Press **◀** key to return to the PREFERENCE menu.

**NOTE: Your DVD disc may not include the subtitle which you set in the SUBTITLE menu. If so, the player will use another subtitle language instead.**

Disc Menu language

DVD discs are available with multiple disc menu languages. This option is used to select the default disc menu language.



- 1 Press the **▲▼** keys to highlight DISC MENU.
- 2 Enter the submenu by pressing the **▶** key.
- 3 Move the cursor by pressing the **▲▼** keys to highlight the selected item.
- 4 Press **OK**.
- 5 Press **◀** key to return to the PREFERENCE menu.

**NOTE: If your DVD disc doesn't include the disc menu language you have set, the player will use another recorded language instead.**

Parental Control DVD

Movies on DVDs may contain scenes which are not suitable for children. Therefore, discs may contain 'Parental Control' information which applies to the complete disc or to certain scenes on the disc. These scenes are rated from 1 to 8, and alternative, more suitable scenes are available on the disc. Ratings are country dependent. The 'Parental Control' feature allows you to prevent discs from being played by your children or to have certain discs played with alternative scenes. VCD, SVCD, CD has no level indication, so parental control function has no effect on those kinds of discs. This applies to most illegal DVD discs.

- You can follow the steps below to setup the parental control.



- 1 Press the **▲▼** keys to highlight PARENTAL.
- 2 Move to its submenu by pressing the **▶** key.
- 3 Then use the **▲▼** keys to highlight a rating for the disc inserted.
- 4 Press **OK** to confirm, then press the **◀** key to return to the PREFERENCE menu.

No Parental Control

Parental Control is not activated. The Disc will be played in full.

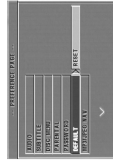
- 1 Select ADULT item.
- 2 Press **OK**.

Ratings 1 to 7:

Some discs contain scenes which are not suitable for children. All scenes with a rating higher than you set will be skipped during playback. However if the disc contains alternate scenes, these will play automatically. If not, the playback will stop and the six digits code will need to be entered again.

Default Setup

If problems occur while setting up the DVD player, the DEFAULT function can be used to reset all options to the factory defaults and all your personal settings will be erased.

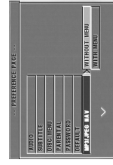


- 1 Press **▲▼** to highlight DEFAULT.
- 2 Highlight RESET by pressing the **▶** key.
- 3 Press **OK**.

**CAUTION: When this function is activated, all setups will be reset to factory defaults.**

MP3/JPEG Navigator

This menu allows you to select alternate settings when you playback picture CD and MP3 CD.



- 1 Press **▲▼** to highlight MP3/JPEG NAV.
- 2 Press **▶** to enter the submenu.
- 3 Press **▲▼** to highlight WITHOUT MENU or WITH MENU.
- 4 → WITHOUT MENU: playback all pictures or MP3 music in sequence automatically.
- 5 → WITH MENU: playback pictures or MP3 music in the selected folder.
- 6 Press **OK** key to confirm your selection.

## Troubleshooting

English

### WARNING

Under no circumstances should you try to repair the system yourself, as this will invalidate the warranty. Do not open the system as there is a risk of electric shock. If a fault occurs, first check the points listed below before taking the system for repair. If you are unable to remedy a problem by following these hints, consult your dealer or service center.

Problem	Solution
<b>No power</b>	<ul style="list-style-type: none"> <li>Check if the AC power cord is properly connected.</li> <li>Check if the TV is switched on.</li> <li>Check the video connection.</li> </ul>
<b>No picture</b>	<ul style="list-style-type: none"> <li>The disc is badly scratched or dirty.</li> <li>Sometimes a small amount of picture distortion may appear. This is not a malfunction.</li> </ul>
<b>Completely distorted picture or black/white picture with DVD or Video CD</b>	<ul style="list-style-type: none"> <li>Make sure the NTSC/PAL setting at the DVD player matches the video signal of your television. (See NTSC/PAL CONVERSION)</li> <li>If the picture becomes distorted after switching between PAL and NTSC, please set the SMART PICTURE to STANDARD.</li> </ul>
<b>No sound or distorted sound</b>	<ul style="list-style-type: none"> <li>Adjust the volume.</li> <li>Check that the speakers are connected correctly.</li> </ul>
<b>No audio at digital output</b>	<ul style="list-style-type: none"> <li>Check the digital connections.</li> <li>Check if your receiver can decode MPEG-2 or DTS and if not, please make sure the digital output is set to PCM.</li> <li>Check if the audio format of the selected audio language matches your receiver capabilities.</li> </ul>
<b>Disc can't be played</b>	<ul style="list-style-type: none"> <li>The DVD+R/DVD+RW/CD-R must be finalized.</li> <li>Ensure the disc label is facing up.</li> <li>Check if the disc is defective by trying another disc.</li> <li>If you record a Picture CD or MP3 CD yourself, ensure that your disc contains at least 10 pictures or 5 MP3 tracks.</li> </ul>
<b>No return to start-up screen when disc is removed</b>	<ul style="list-style-type: none"> <li>Reset the unit by switching the player off, then on again.</li> </ul>
<b>The player does not respond to the remote control</b>	<ul style="list-style-type: none"> <li>Aim the remote control directly at the sensor on the front of the player.</li> <li>Reduce the distance to the player.</li> <li>Replace the batteries in the remote control.</li> <li>Insert the batteries with their polarities (+/- signs) as indicated.</li> </ul>
<b>Buttons do not work</b>	<ul style="list-style-type: none"> <li>In order to completely reset the player, unplug the AC cord from the AC outlet.</li> </ul>
<b>Player does not respond to some operating commands during playback</b>	<ul style="list-style-type: none"> <li>Operations may not be permitted by the disc. Refer to the instructions of the disc.</li> </ul>
<b>DVD Video player cannot read CDs/DVDs</b>	<ul style="list-style-type: none"> <li>Use a commonly available cleaning CD/DVD to clean the lens before sending the DVD Video player for repair.</li> </ul>

28

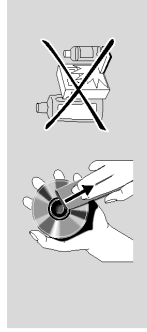
## Specifications

English

<b>PLAYBACK SYSTEM</b>	<b>AUDIO PERFORMANCE</b>
DVD Video	DA Converter 24bit
Video CD & SVCD	Signal-Noise (1KHz) 100dB
CD	Dynamic range(1KHz) >90dB
PICTURE CD	DVD
MP3-CD	4Hz- 44kHz
CD-R, CD-RW	15-96 kHz
DVD-R, DVD+RW	4Hz- 22kHz
	15-48 kHz
	4Hz- 22kHz
	15-44.1kHz
	4Hz- 20kHz
	15-44.1kHz
	4Hz- 20kHz
<b>VIDEO PERFORMANCE</b>	<b>TV STANDARD (PAL/50Hz) (NTSC/60Hz)</b>
CVBS 1Vpp-75Ω	Number of lines 625
RGB (SCART) 0.7Vpp into 75 ohm	Playback Multistandard (PAL/NTSC)
<b>AUDIO FORMAT</b>	<b>CONNECTIONS</b>
Digital MPEG/AC-3/ DTS compressed Digital	Smart Output Euroconnector
PCM1 16, 20, 24 bits	Video Output Cinch
MP3(SO 9600) 5, 44.1, 48, 96, kHz	Audio Output(L+R) Cinch
	Digital Output 1 coaxial
	IEC958 for CDDA / LPCM/ MPEG1
	IEC1937 for MPEG 2, Dolby
	Digital and DTS
Analog Sound Stereo	<b>CABINET</b>
	Dimensions (w x d x h) 360 x 285 x 43 mm
	Weight Approximately 2.2 Kg
	<b>POWER CONSUMPTION</b>
	Power consumption in Standby mode <1W

Specifications subject to change without prior notice

## Maintenance



- Cleaning the Cabinet**
  - Use a soft cloth slightly moistened with a mild detergent solution. Do not use a solution containing alcohol, spirits, ammonia or abrasives.
- Cleaning Discs**
  - When a disc becomes dirty, clean it with a cleaning cloth. Wipe the disc from the center out. Do not wipe in a circular motion.
  - Do not use solvents such as benzene, thinner, commercially available cleaners, or antistatic spray intended for analog records.

27



# 4. Dismantling Instructions, and Exploded Views

DISMANTLING INSTRUCTIONS DVD625/001/021/051  
 See exploded view for item numbers

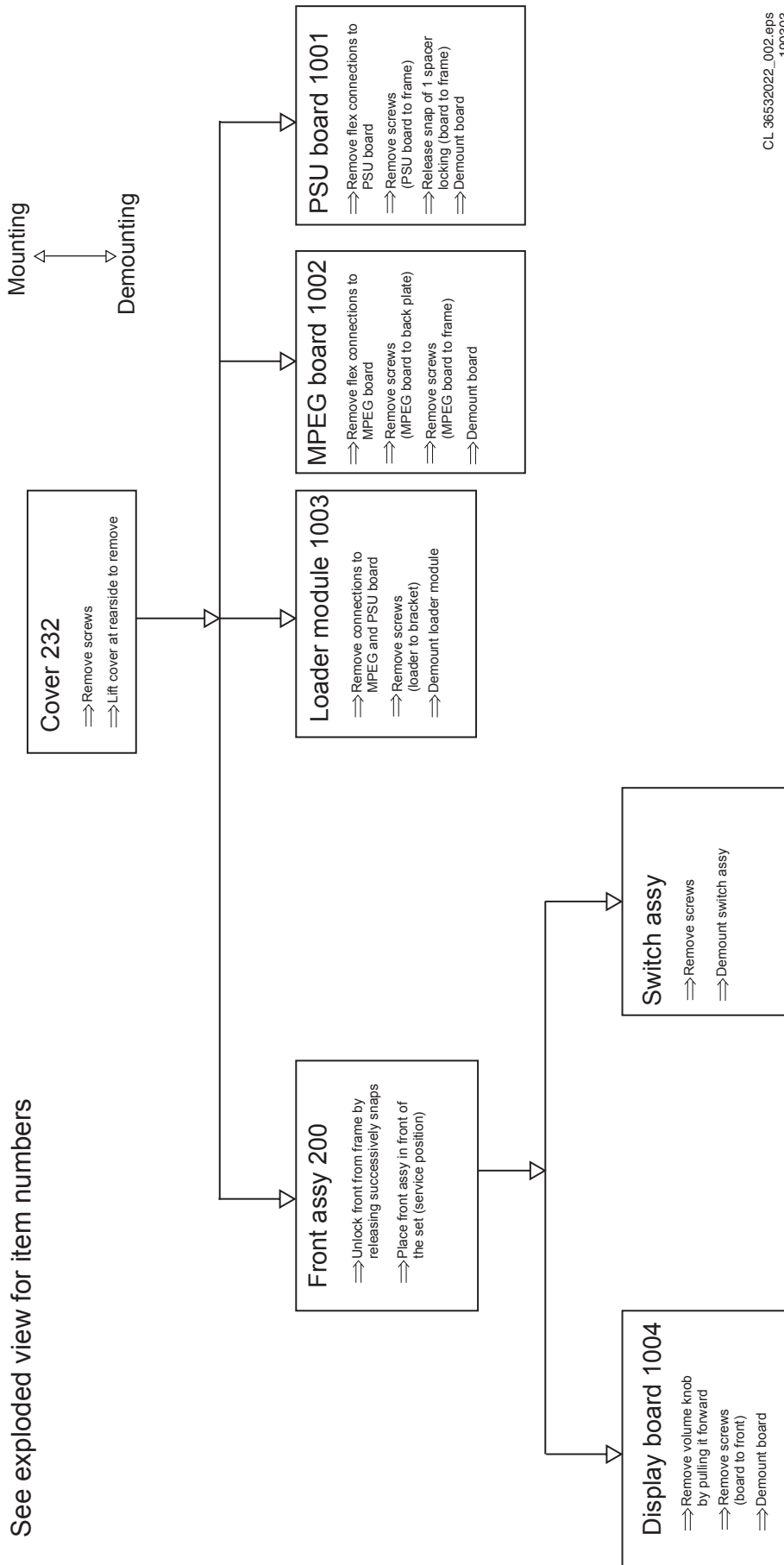
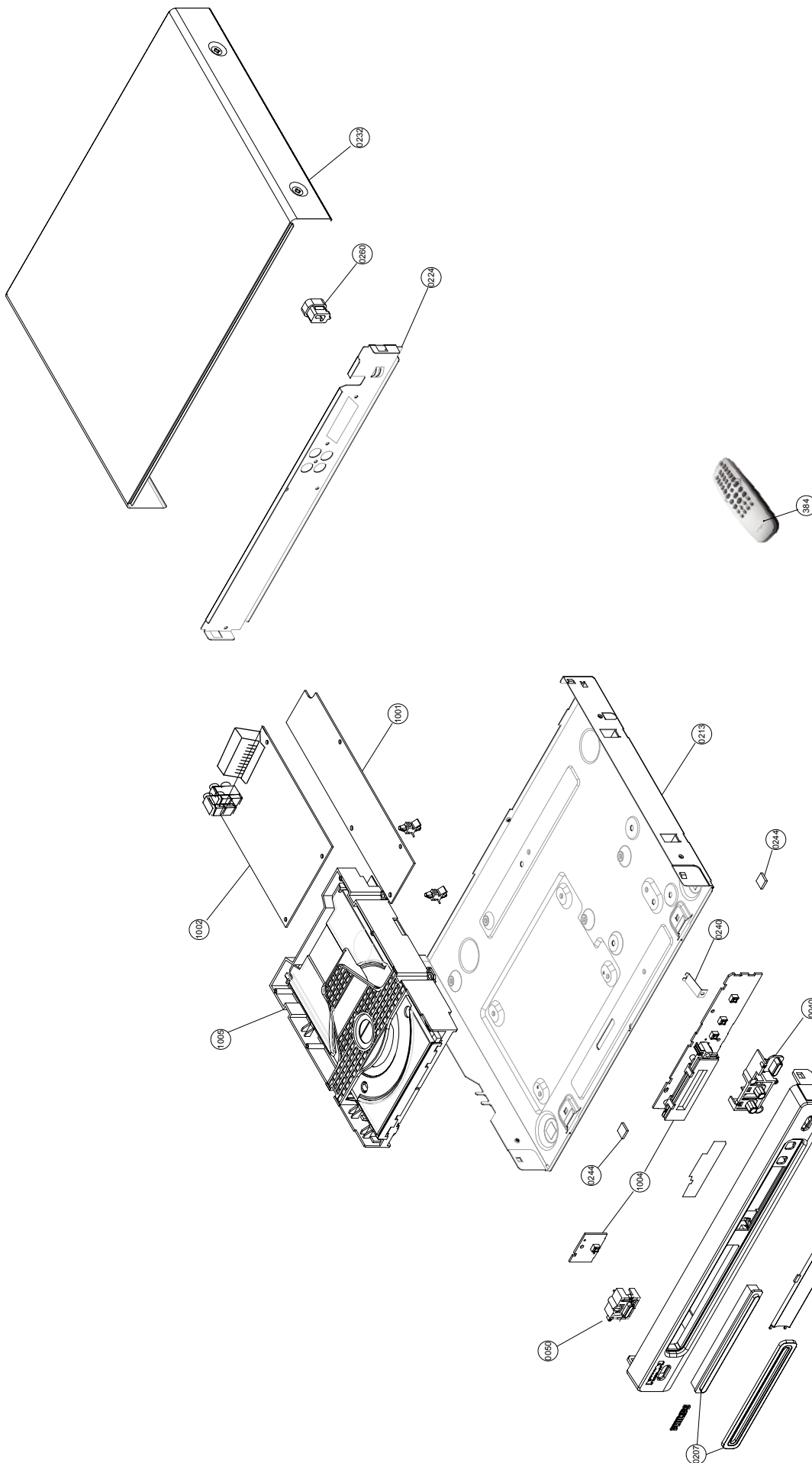


Figure 4-1 Dismantling Instructions

CL-36532022\_003\_e08  
190303



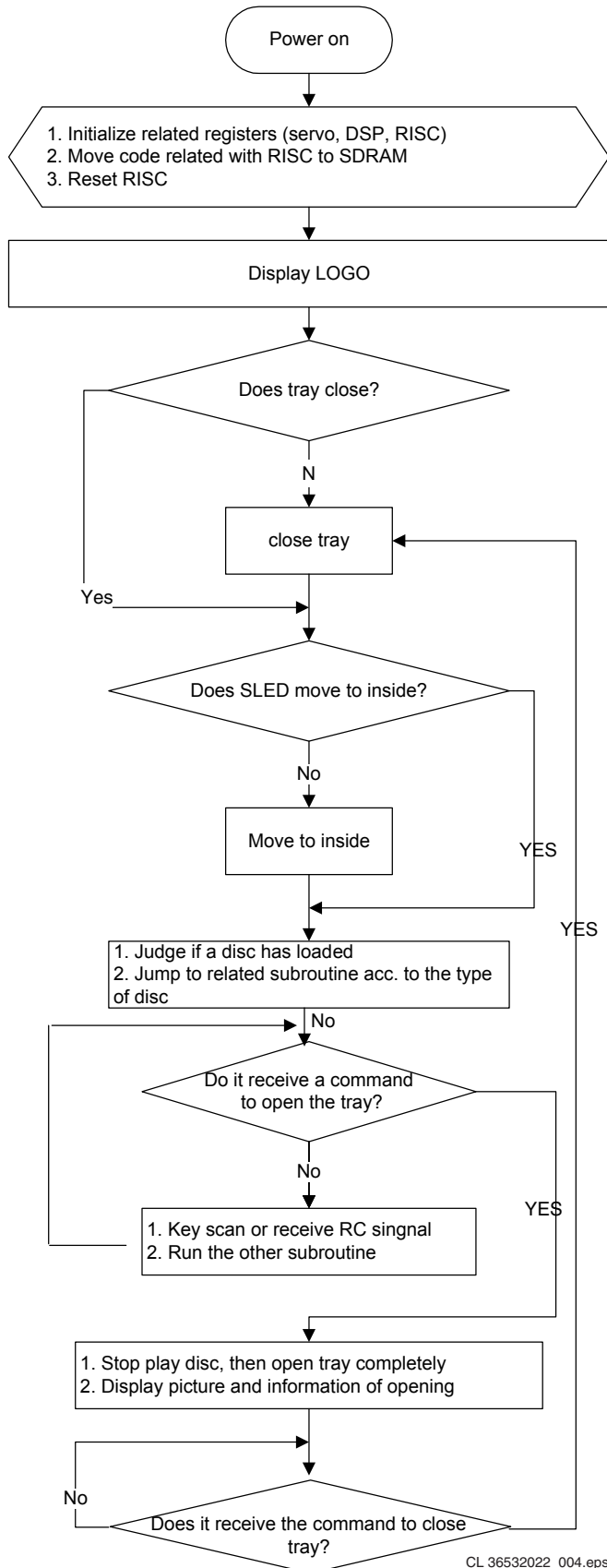
Exploded View DVD625/001/021/051

Figure 4-2 Exploded View

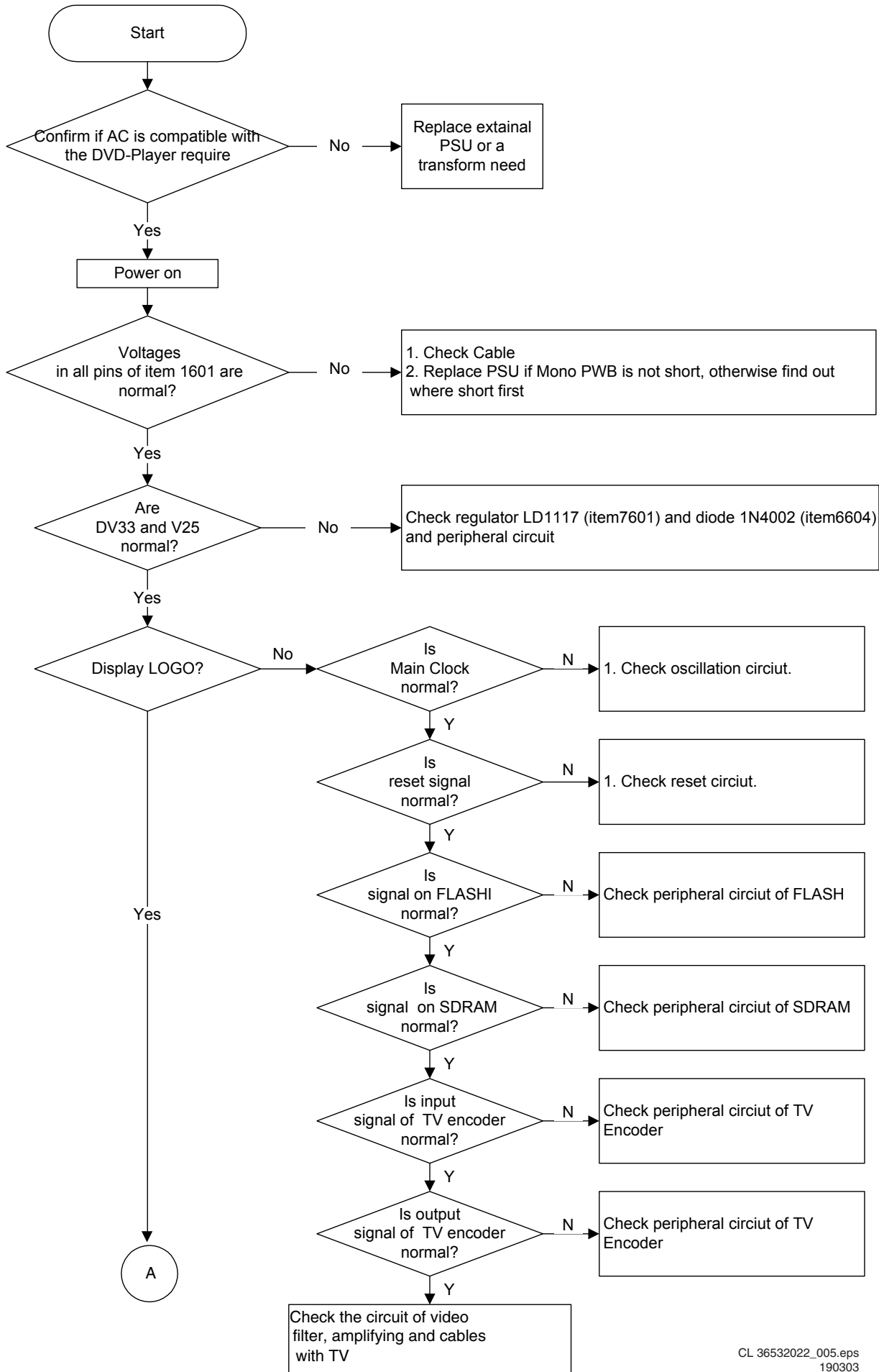
## 5. Diagnostic Software, Trouble Shooting and Test Instructions

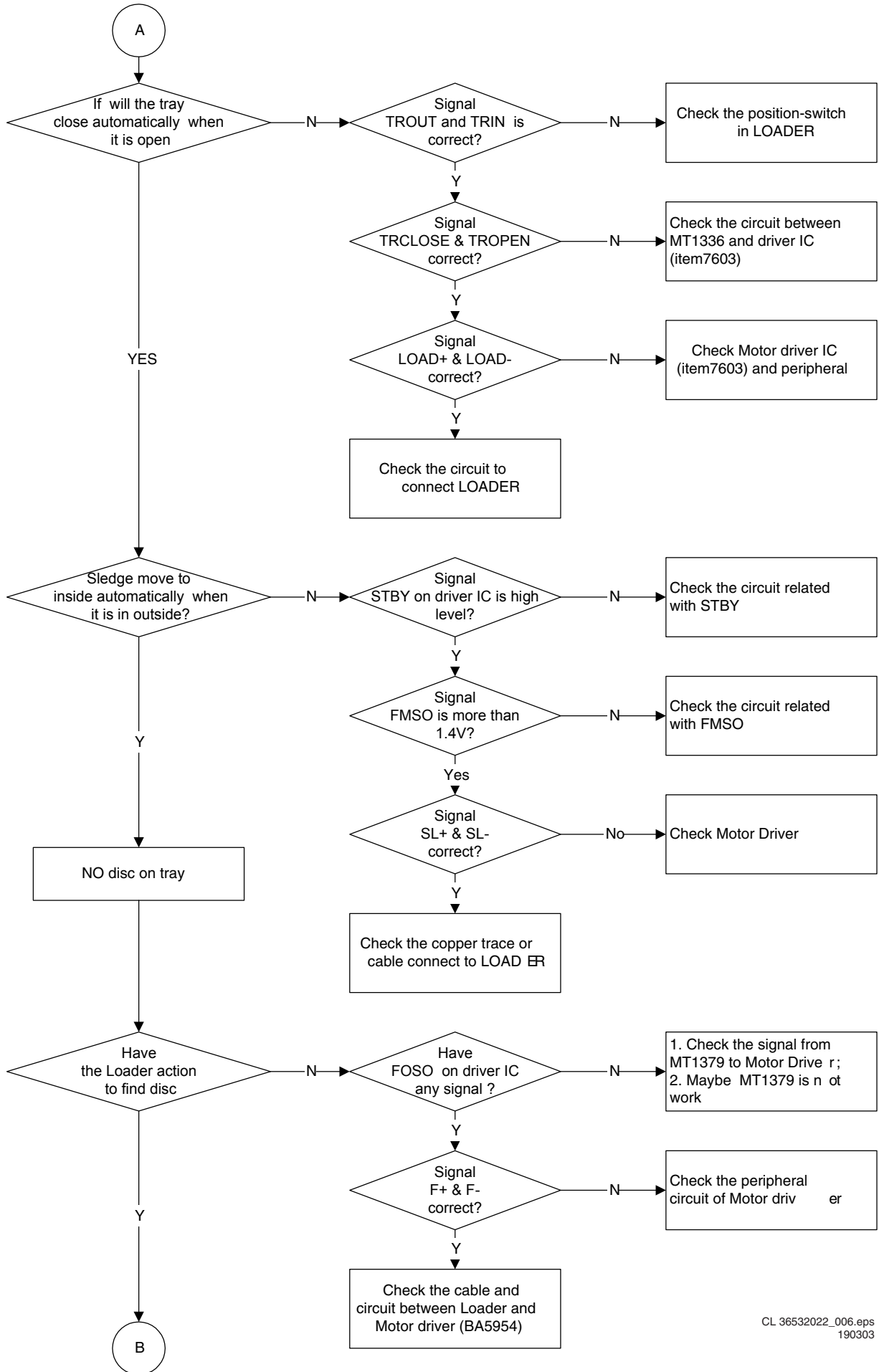
Diagnostic Software reserved. It will be prepared later

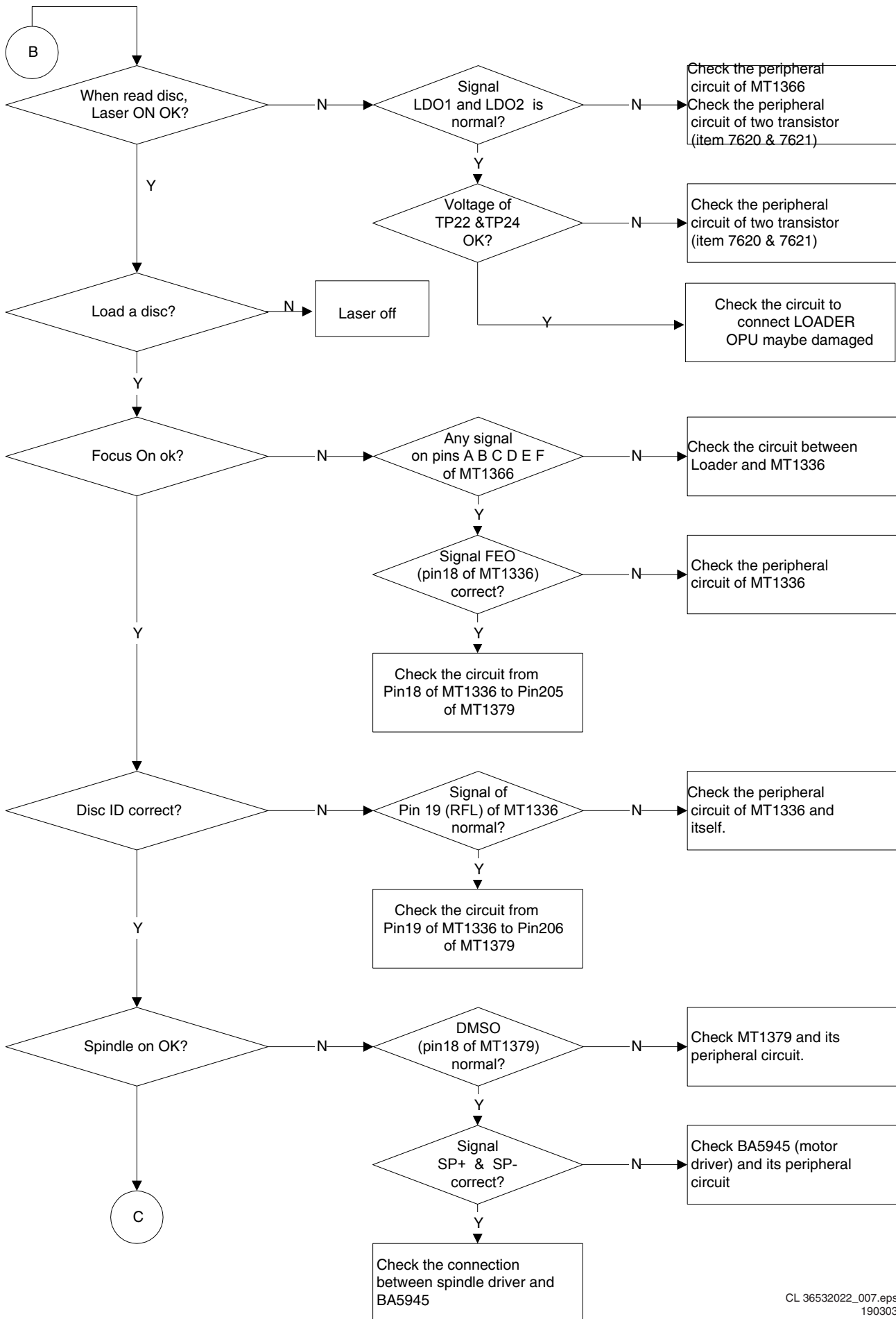
### 5.1 System working procedure for MediaTeK DVD-Player (MT1379 + MT1366)

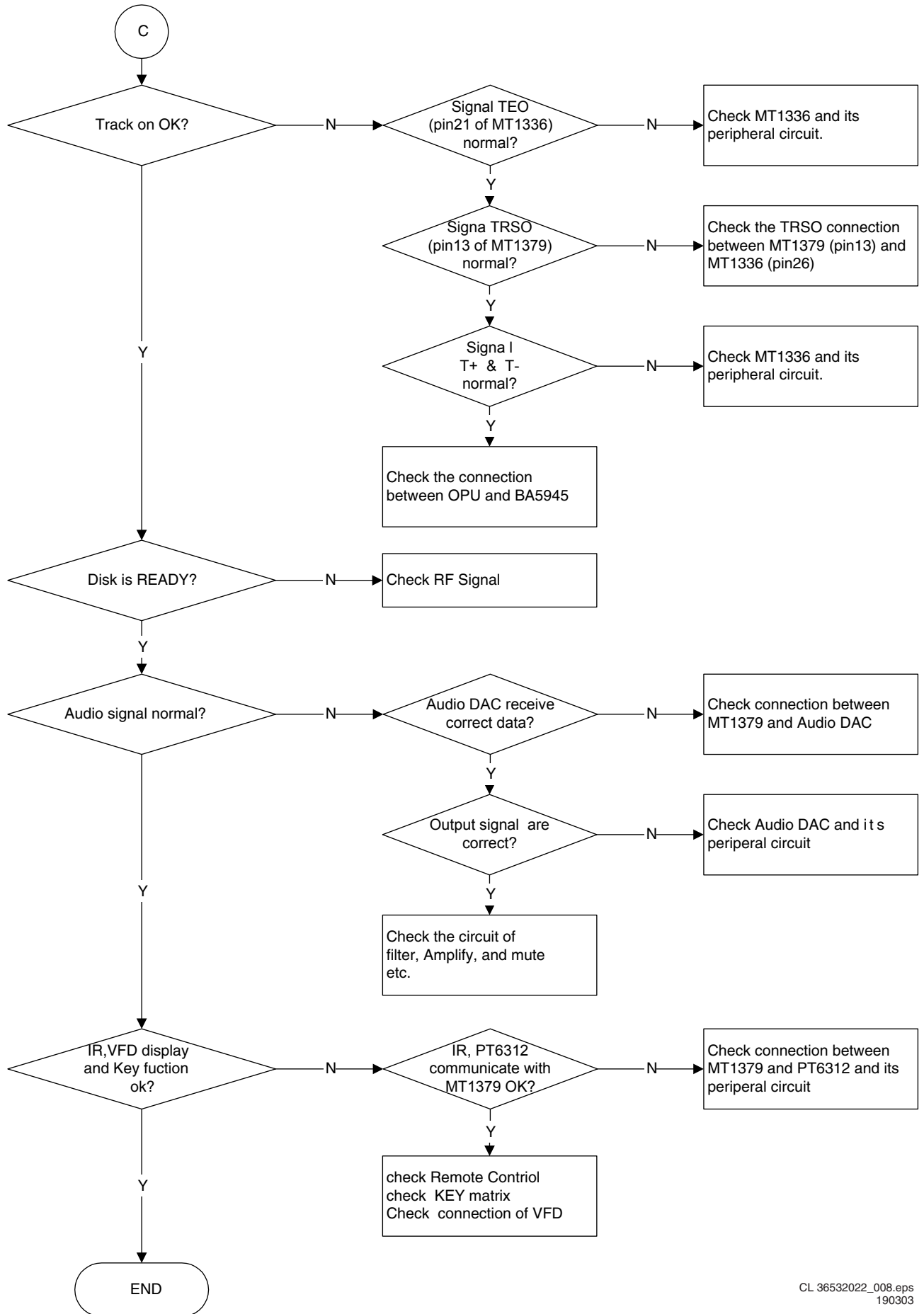


5.2 Maintenance Flow Chart







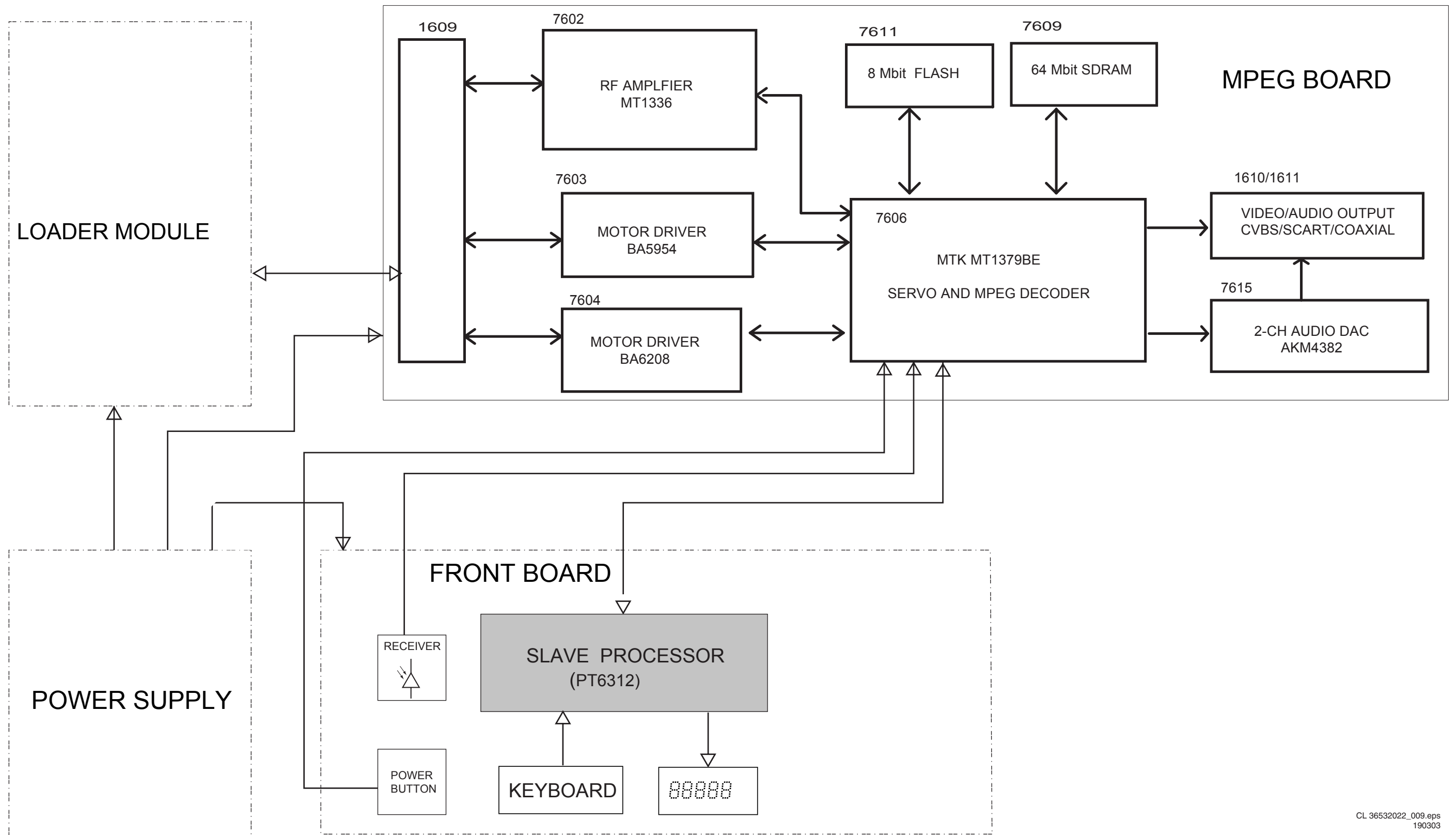




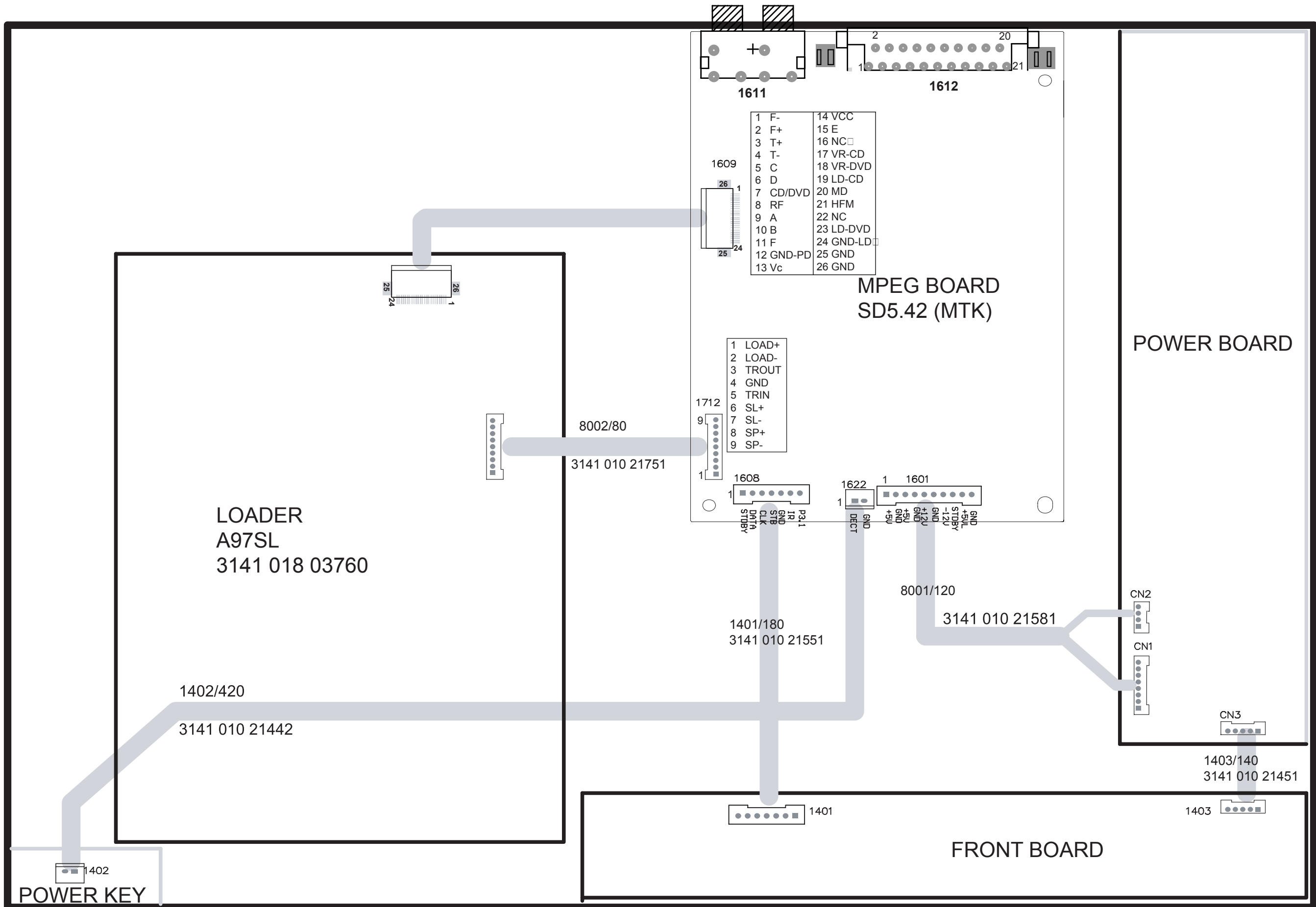


## 6. Block and Wiring Diagram.

### Block Diagram

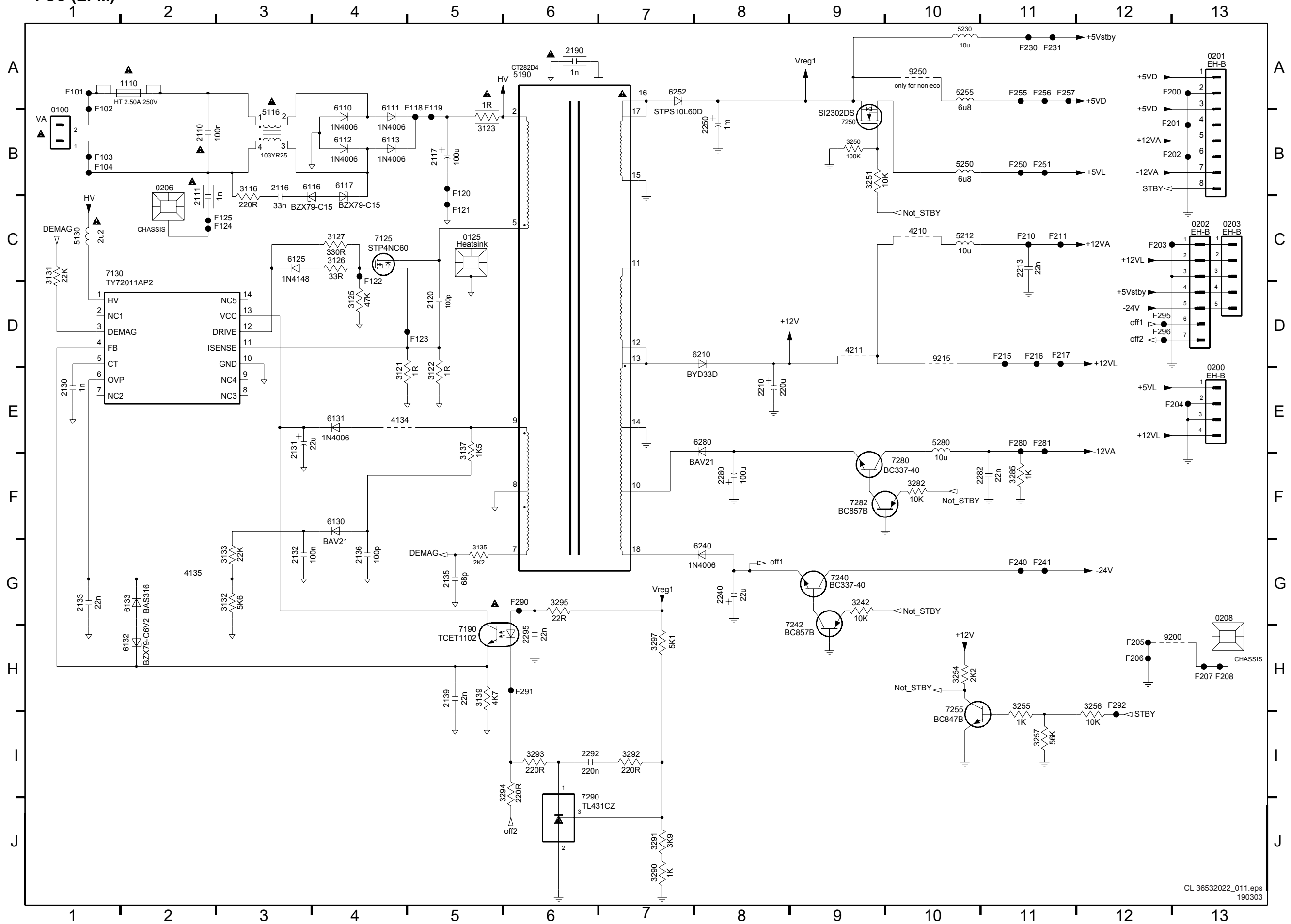


WiringDiagram



# 7. Electrical Diagrams

## PSU (EPM)





Front & Mic Board

**A 1 FRONT & MIC**

1200	E9	2201	E3	2209	E5	2403	C3	2413	C9	3206	E4	3401	B4	3410	D3	3421	C7	5200	E3	7400	B3	F208	E5
1201	E1	2202	E3	2210	E5	2405	D7	2414	C7	3207	E5	3402	B3	3411	D3	3422	C6	6102	E3	7401	C7	F209	E6
1400	B7	2203	D3	2214	D10	2406	D7	2415	C7	3208	E5	3403	B3	3414	D7	3423	C7	6400	D4	7402	C7	F211	E8
1401	B2	2204	E3	2215	D10	2407	D6	3201	E2	3209	E6	3404	B3	3415	B2	3424	C8	6401	B4	7403	D8	F223	E8
1403	D8	2205	E4	2228	D10	2409	C7	3202	E2	3212	D10	3405	C2	3416	B2	3425	C9	6401	C6	7404	C2	F224	E8
1411	D3	2206	E4	2229	D10	2410	C7	3203	E3	3214	D10	3406	C2	3417	B2	3426	C9	7201	D3	F205	E2	F401	B2
1412	D3	2207	E3	2401	B2	2411	C7	3204	E4	3225	E4	3407	C3	3418	B9	3427	D9	7201	E5	F206	E3	F402	B2
1413	D3	2208	E5	2402	C3	2412	D6	3205	E4	3401	B3	3409	D3	3420	C6	3430	B4	7203	E3	F207	E4	F403	B2
																						F404	B2
																						F405	B2
																						F418	D8
																						F421	D8
																						F426	B3

A

B

C

D

E

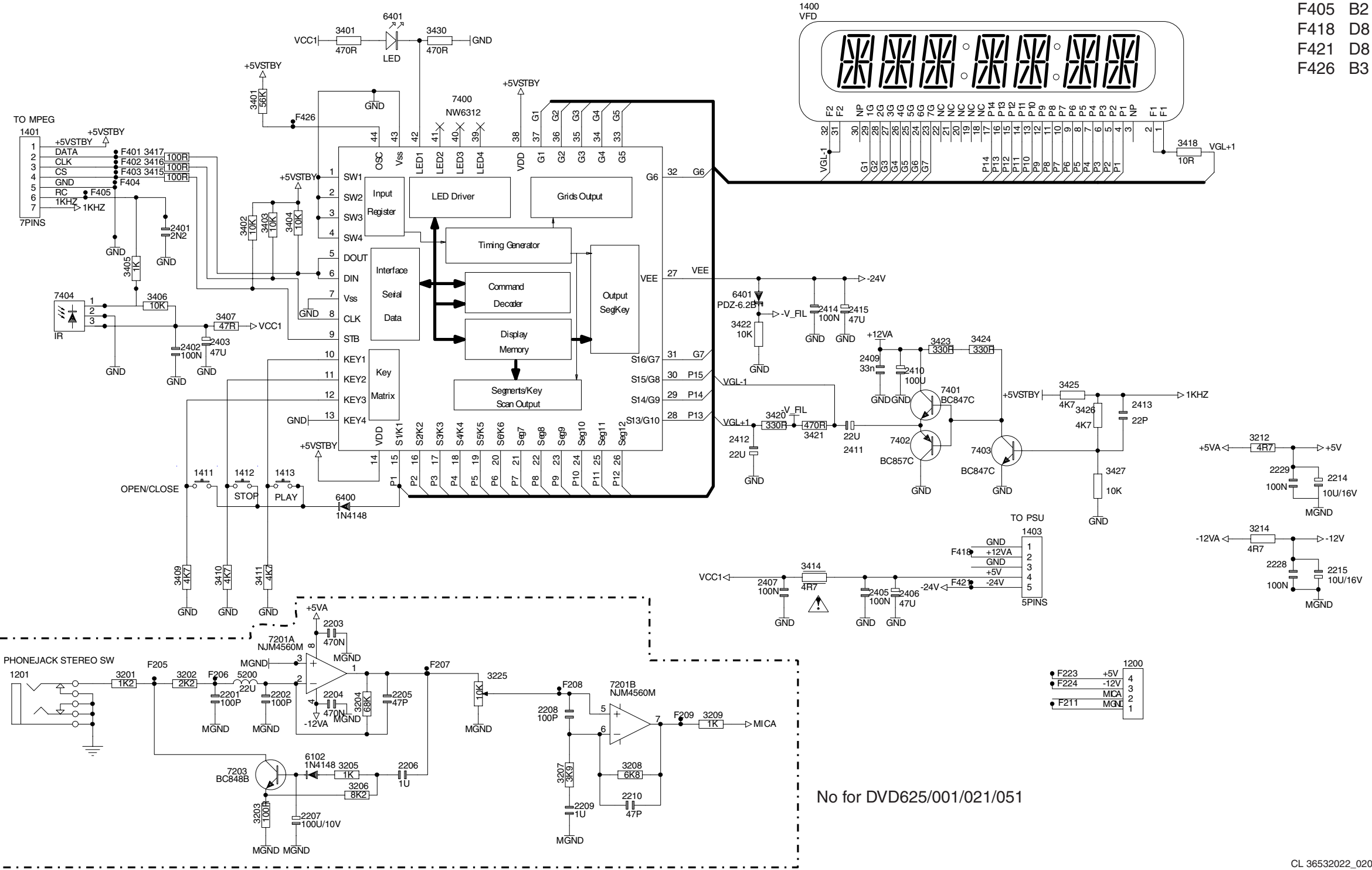
A

B

C

D

E

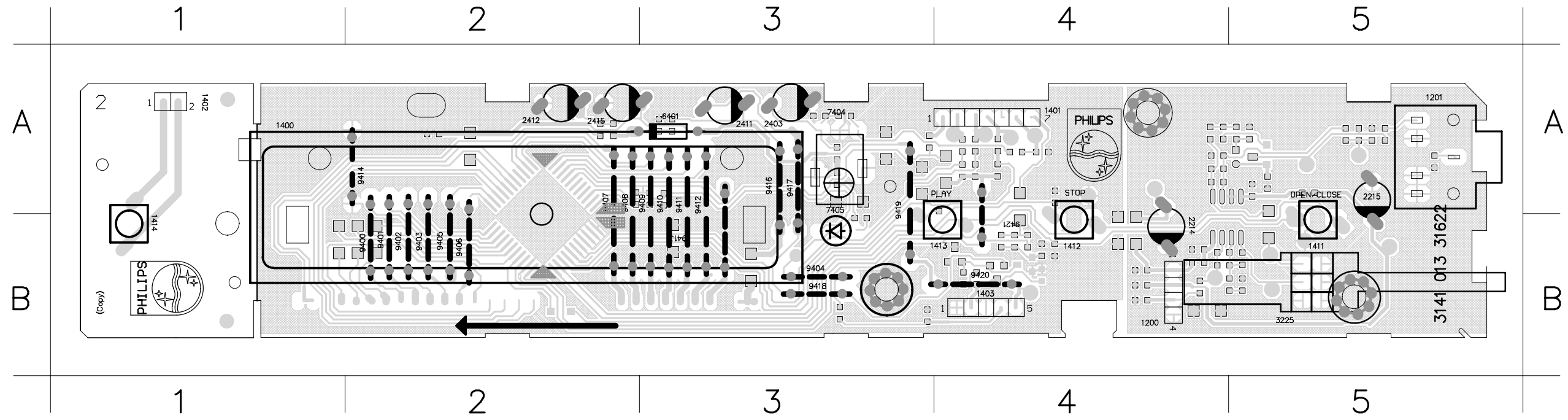


No for DVD625/001/021/051

Layout Front & Mic Board

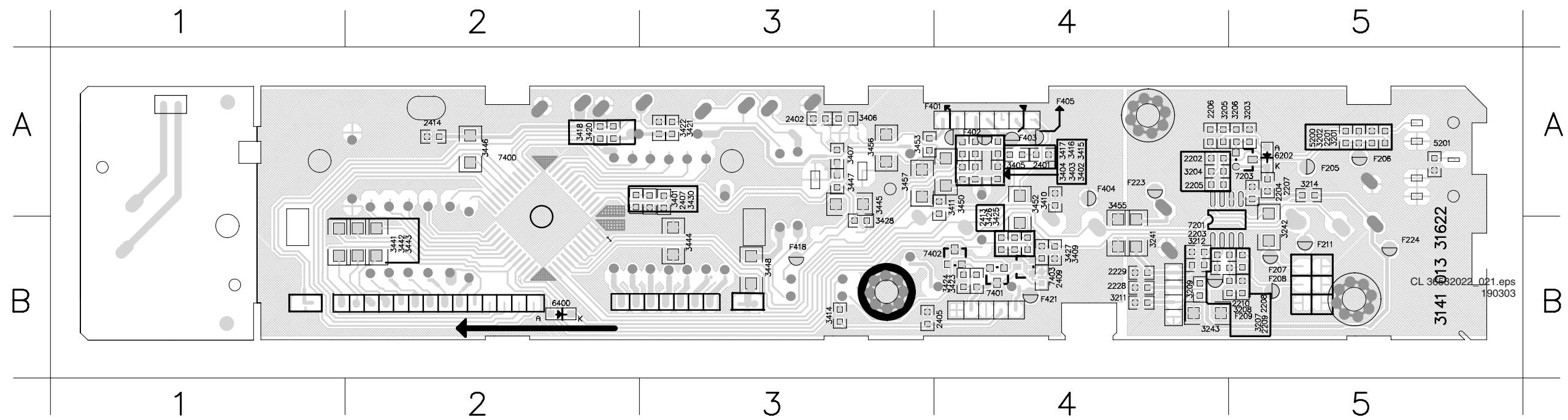
Components Side

1200 B8	1402 A1	1413 B6	2403 A5	3225 B8	7400 B4	9401 B3	9405 B3	9409 B5	9413 B5	9418 B5
1201 A8	1403 B7	1414 B1	2411 A5	6202 A8	7404 A6	9402 B3	9406 B3	9410 B5	9414 A3	9419 B6
1400 B4	1411 B8	2214 A8	2412 A4	6400 B4	7405 B6	9403 B3	9407 B4	9411 B5	9416 A5	9420 B6
1401 A7	1412 B7	2215 A8	2415 A4	6401 A4	9400 B3	9404 B5	9408 B4	9412 B5	9417 B6	9421 B7



Copper Side

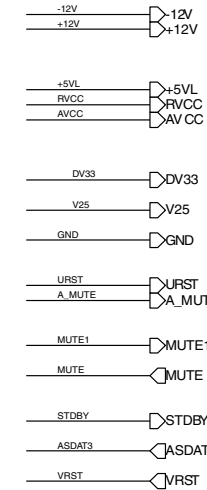
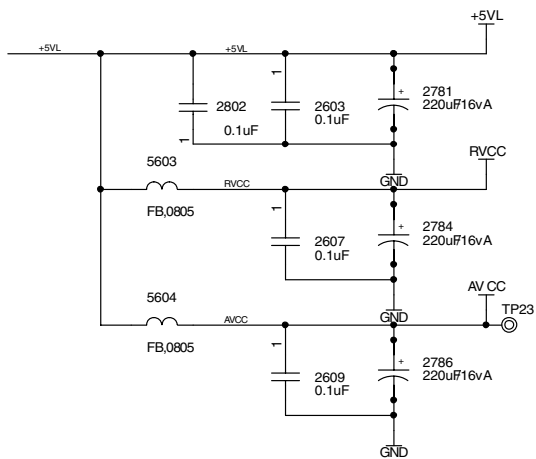
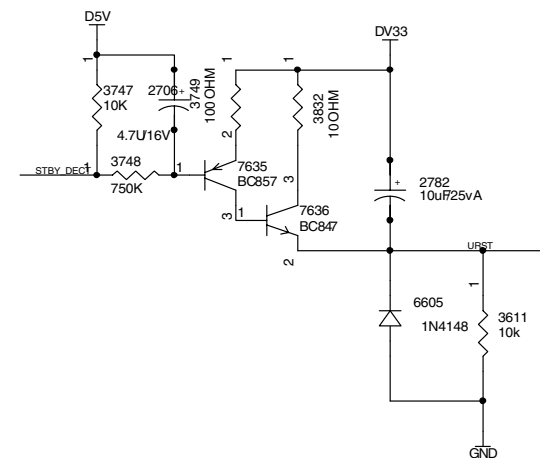
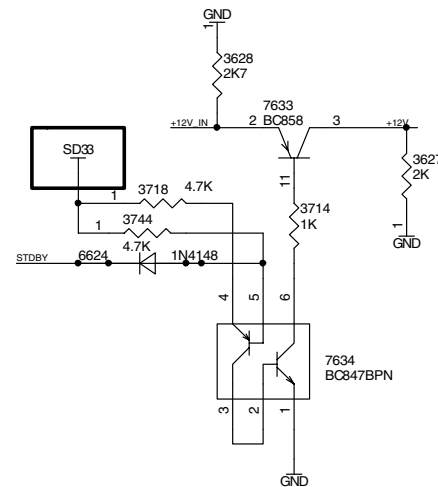
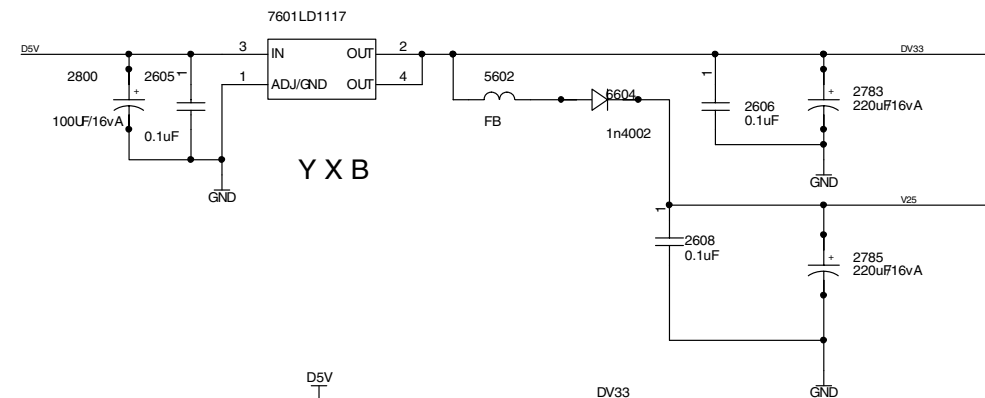
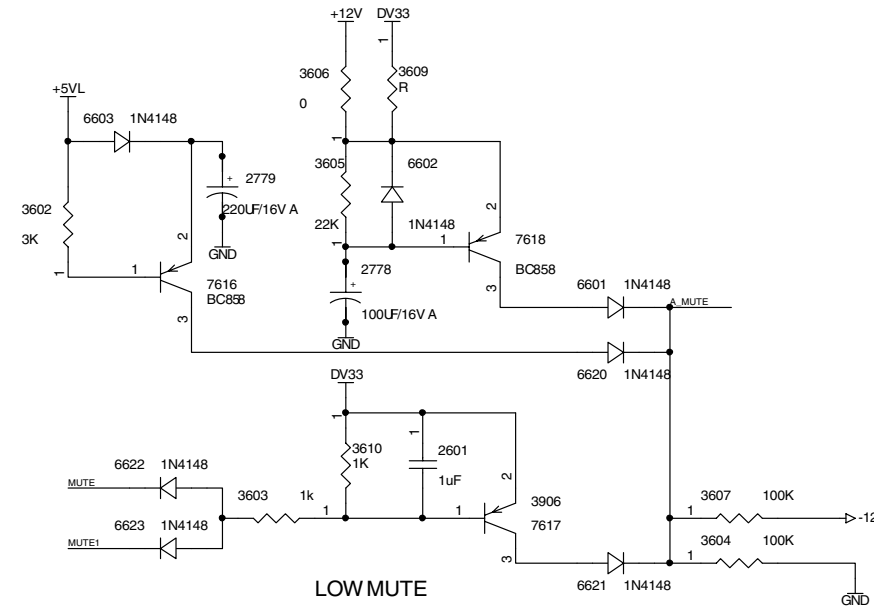
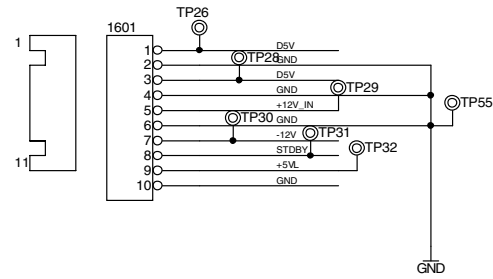
2201 A8	2207 A8	2401 A7	2414 A3	3206 A8	3214 A8	3403 A7	3410 A7	3418 A4	3425 B7	3442 B3	3448 B5	3457 A6	7402 B7	F209 B8	F403 A7
2202 A8	2208 B8	2402 A6	3201 A8	3207 B8	3241 B8	3404 A7	3411 A7	3420 A4	3426 B7	3443 B3	3450 A7	5200 A8	7403 B7	F211 B8	F404 A8
2203 B8	2209 B8	2405 B6	3202 A8	3208 B8	3242 B8	3405 A7	3414 B6	3421 A5	3427 B7	3444 B5	3452 A7	5201 A8	F205 A8	F223 A8	F405 A7
2204 A8	2210 B8	2407 A5	3203 A8	3209 B8	3243 B8	3406 A6	3415 A7	3422 A5	3428 B6	3445 A6	3453 A6	7201 A8	F206 A8	F224 B8	F418 B6
2205 A8	2228 B8	2409 B7	3204 A8	3211 B8	3401 A4	3407 A6	3416 A7	3423 B7	3430 A5	3446 A3	3455 B8	7203 A8	F207 B8	F401 A7	F421 B7
2206 A8	2229 B8	2413 B7	3205 A8	3212 B8	3402 A7	3409 B7	3417 A7	3424 B7	3441 B2	3447 A6	3456 A6	7401 B7	F208 B8	F402 A7	



MPEG Board: Index

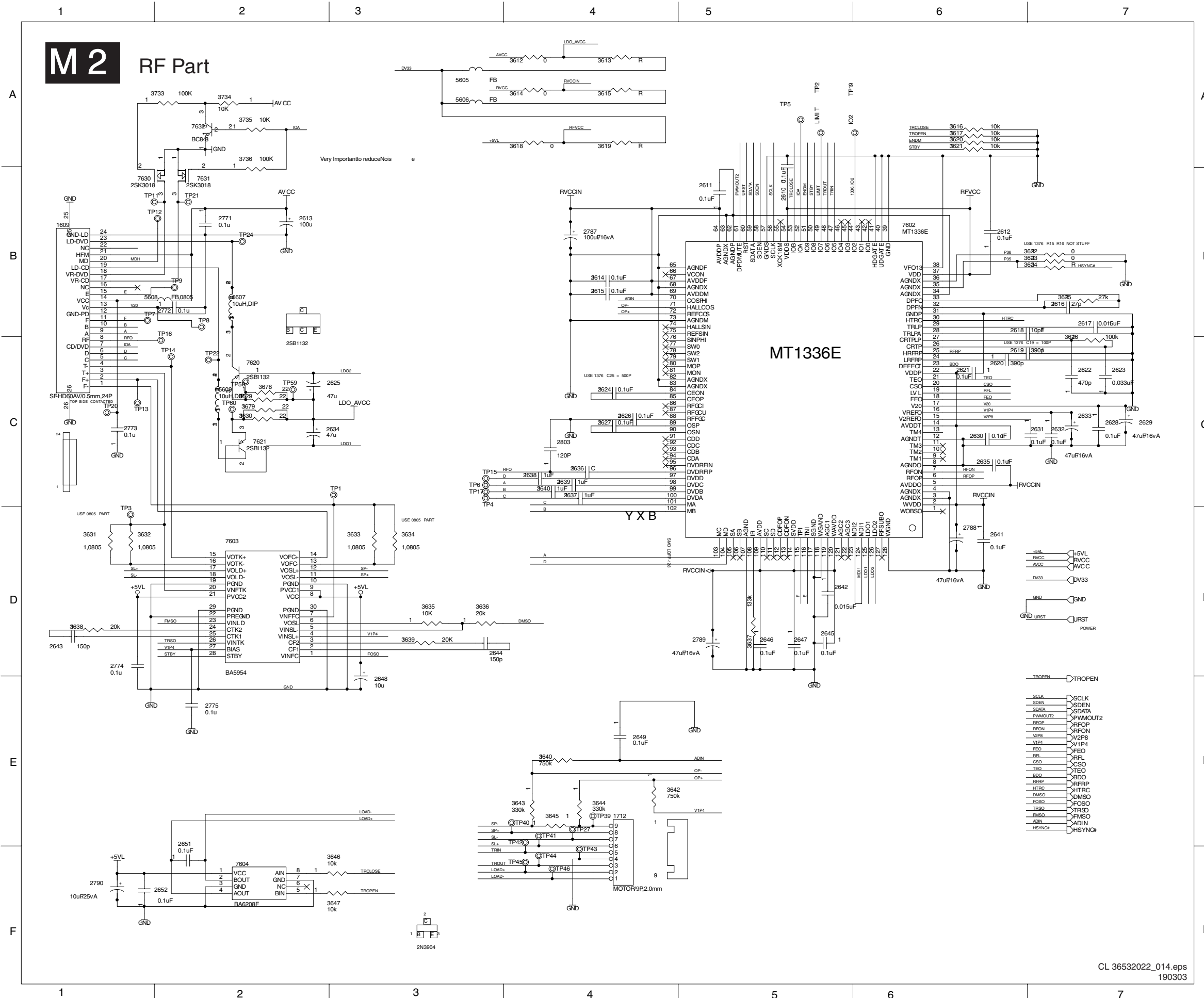
**M1** INDEX

NAME	TYPE	DEVICE
5VL	Digital 5V	SUPPLY
RVCC	Servo 5V	MT1336E
AVCC	RF 5V	PICKUP HEADER
DV33	Digital 3.3V	Flash, VideoDAC
DV33	Digital 3.3V	MT1369E
AV33	Servo 3.3V	MT1369E
V25	Digital 2.5V	MT1369E
SD33	Digital 3.3V	SDRAM
+5VV	VIDEO 5V	VIDEO
VCC5330	Audio 5V	Audio
+12V	Audio 12V	Audio filter
+5V8756D	Audio 5V	Audio DAC
+5V8756A	Audio 5V	Audio DAC



- 1601 C2
- 2601 C5
- 2603 D2
- 2605 C4
- 2606 C6
- 2607 E2
- 2608 D6
- 2609 E2
- 2706 D5
- 2778 B5
- 2779 B5
- 2781 D2
- 2782 D5
- 2783 C6
- 2784 E2
- 2785 D6
- 2786 E2
- 2800 C4
- 2802 D2
- 3602 B4
- 3603 C5
- 3604 C6
- 3605 B5
- 3606 B5
- 3607 C6
- 3609 B5
- 3610 C5
- 3611 E6
- 3627 D4
- 3628 D3
- 3714 D4
- 3718 D4
- 3744 E3
- 3747 D5
- 3748 E5
- 3749 D5
- 3832 D5
- 5602 C5
- 5603 E2
- 5604 E2
- 6601 B6
- 6602 B5
- 6603 B4
- 6604 C5
- 6605 E5
- 6620 B6
- 6621 C6
- 6622 C5
- 6623 C5
- 6624 E4
- 7601 C5
- 7616 B5
- 7617 C5
- 7618 B5
- 7633 D4
- 7634 E4
- 7635 D5
- 7636 E5
- TP23 E3
- TP26 C2
- TP28 C2
- TP29 C2
- TP30 C2
- TP31 C2
- TP32 C2
- TP55 C3

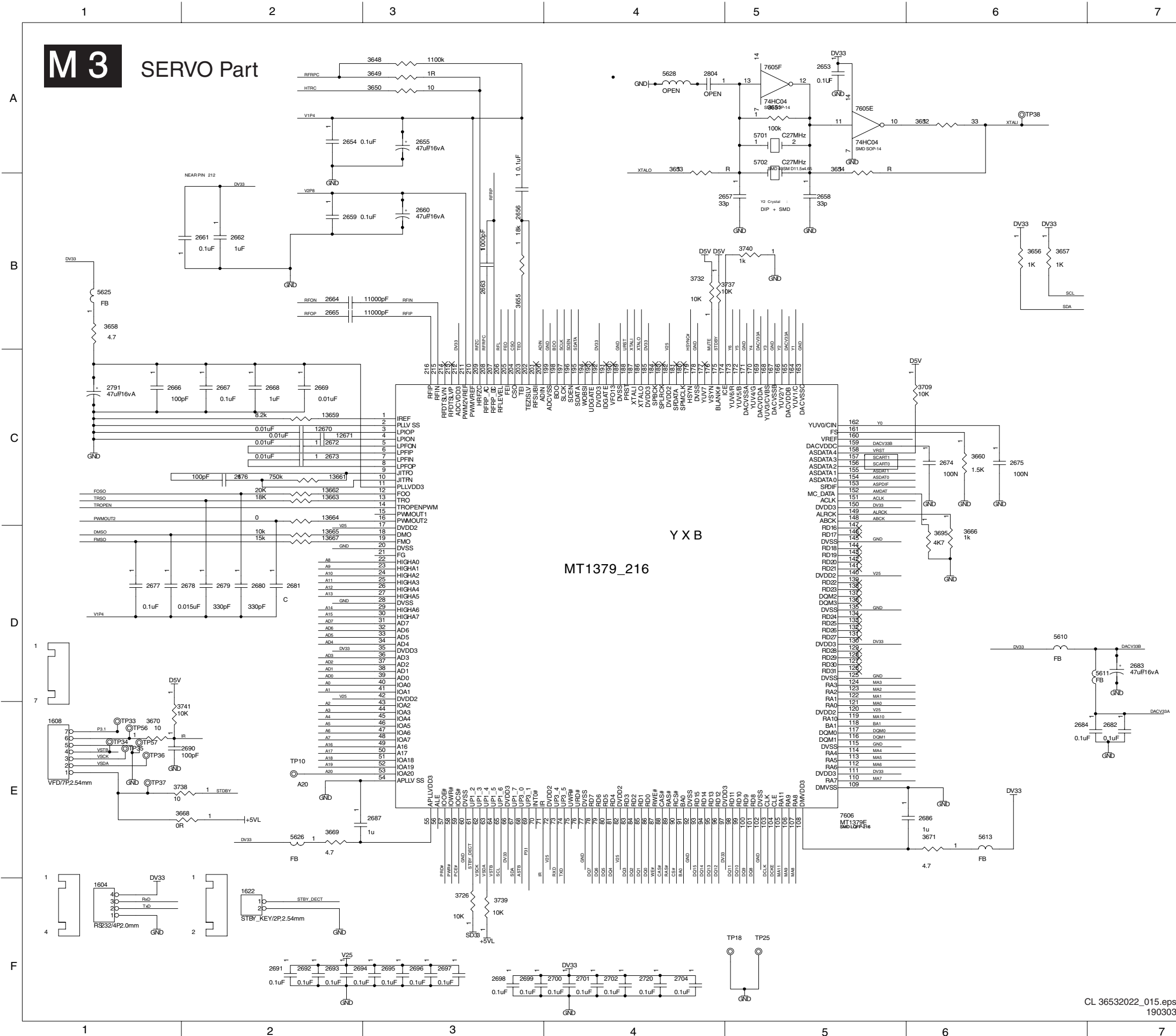
MPEG Board: RF Part



- 1609 C1
- 1712 F4
- 2610 B5
- 2611 B5
- 2612 B6
- 2613 B2
- 2614 B4
- 2615 B4
- 2616 B7
- 2617 B7
- 2618 B7
- 2619 C7
- 2620 C6
- 2621 C6
- 2622 C7
- 2623 C7
- 2624 C4
- 2625 C2
- 2626 C4
- 2627 C4
- 2628 C7
- 2629 C7
- 2630 C6
- 2631 C6
- 2632 C7
- 2633 C7
- 2634 C2
- 2635 C6
- 2636 C4
- 2637 C4
- 2638 C4
- 2639 C4
- 2640 C4
- 2641 D6
- 2642 D5
- 2643 D1
- 2644 D3
- 2645 D5
- 2646 D5
- 2647 D5
- 2648 D3
- 2649 E2
- 2651 F4
- 2652 F1
- 2653 C2
- 2654 F1
- 2655 F2
- 2656 F2
- 2657 B2
- 2658 C2
- 2659 C3
- 2660 C2
- 2661 A4
- 2662 B7
- 2663 B7
- 2664 B7
- 2665 B7
- 2666 C7
- 2667 C2
- 2668 D1
- 2669 A4
- 2670 A6
- 2671 A6
- 2672 B7
- 2673 D5
- 2674 D5
- 2675 D5
- 2676 D5
- 2677 D5
- 2678 D5
- 2679 F1
- 2680 C4
- 2681 A4
- 2682 A4
- 2683 A4
- 2684 A4
- 2685 A4
- 2686 A4
- 2687 A4
- 2688 D6
- 2689 D5
- 2690 F1
- 2691 A4
- 2692 A4
- 2693 A4
- 2694 E4
- 2695 E4
- 2696 E4
- 2697 F2
- 2698 F2
- 2699 A2
- 2700 A2
- 2701 B2
- 2702 B2
- 2703 B2
- 2704 B2
- 2705 B2
- 2706 C2
- 2707 C1
- 2708 B2
- 2709 B2
- 2710 B2
- 2711 B2
- 2712 B2
- 2713 C1
- 2714 C2
- 2715 C3
- 2716 C2
- 2717 C3
- 2718 A6
- 2719 A5
- 2720 C1
- 2721 B2
- 2722 C2
- 2723 B2
- 2724 B2
- 2725 E4
- 2726 D1
- 2727 E4
- 2728 E4
- 2729 E4
- 2730 E4
- 2731 F4
- 2732 F4
- 2733 A2
- 2734 A2
- 2735 A2
- 2736 B2
- 2737 B2
- 2738 B2
- 2739 B2
- 2740 D1
- 2741 A4
- 2742 A4
- 2743 A4
- 2744 A4
- 2745 A4
- 2746 A4
- 2747 A5
- 2748 C2
- 2749 C3
- 2750 C2
- 2751 B1
- 2752 B1
- 2753 C1
- 2754 C1
- 2755 E2
- 2756 B4
- 2757 B4
- 2758 D5
- 2759 F1
- 2760 C4
- 2761 A4
- 2762 A4
- 2763 A4
- 2764 A6
- 2765 A6
- 2766 A6
- 2767 A6
- 2768 A6
- 2769 A6
- 2770 A6
- 2771 A6
- 2772 A6
- 2773 A6
- 2774 D1
- 2775 E2
- 2776 B4
- 2777 B4
- 2778 D6
- 2779 D5
- 2780 F1
- 2781 A4
- 2782 A4
- 2783 A4
- 2784 A4
- 2785 A4
- 2786 A4
- 2787 A4
- 2788 D6
- 2789 D5
- 2790 F1
- 2791 A4
- 2792 A4
- 2793 A4
- 2794 A6
- 2795 A6
- 2796 A6
- 2797 A6
- 2798 A6
- 2799 A6
- 2800 C4
- 2801 A4
- 2802 A4
- 2803 C4
- 2804 A4
- 2805 A4
- 2806 A4
- 2807 A4
- 2808 A4
- 2809 A4
- 2810 A4
- 2811 A4
- 2812 A4
- 2813 A4
- 2814 A4
- 2815 A4
- 2816 A4
- 2817 A4
- 2818 A4
- 2819 A4
- 2820 A6
- 2821 A6
- 2822 B7
- 2823 B7
- 2824 B7
- 2825 B7
- 2826 C7
- 2827 C2
- 2828 C2
- 2829 C2
- 2830 C2
- 2831 D1
- 2832 D1
- 2833 D3
- 2834 D3
- 2835 D3
- 2836 D3
- 2837 D5
- 2838 D1
- 2839 D3
- 2840 E4
- 2841 E4
- 2842 E4
- 2843 E4
- 2844 E4
- 2845 E4
- 2846 F2
- 2847 F2
- 2848 A2
- 2849 A2
- 2850 A2
- 2851 B2
- 2852 B2
- 2853 B2
- 2854 B2
- 2855 B2
- 2856 C2
- 2857 C1
- 2858 A2
- 2859 A2
- 2860 A3
- 2861 A3
- 2862 B2
- 2863 B2
- 2864 B2
- 2865 B2
- 2866 C2
- 2867 C2
- 2868 C2
- 2869 C2
- 2870 C2
- 2871 C2
- 2872 C2
- 2873 C1
- 2874 C1
- 2875 C1
- 2876 C1
- 2877 C1
- 2878 C1
- 2879 C1
- 2880 C1
- 2881 C1
- 2882 C1
- 2883 C1
- 2884 C1
- 2885 C1
- 2886 C1
- 2887 C1
- 2888 C1
- 2889 C1
- 2890 C1
- 2891 C1
- 2892 C1
- 2893 C1
- 2894 C1
- 2895 C1
- 2896 C1
- 2897 C1
- 2898 C1
- 2899 C1
- 2900 C1



MPEG Board: Servo Part

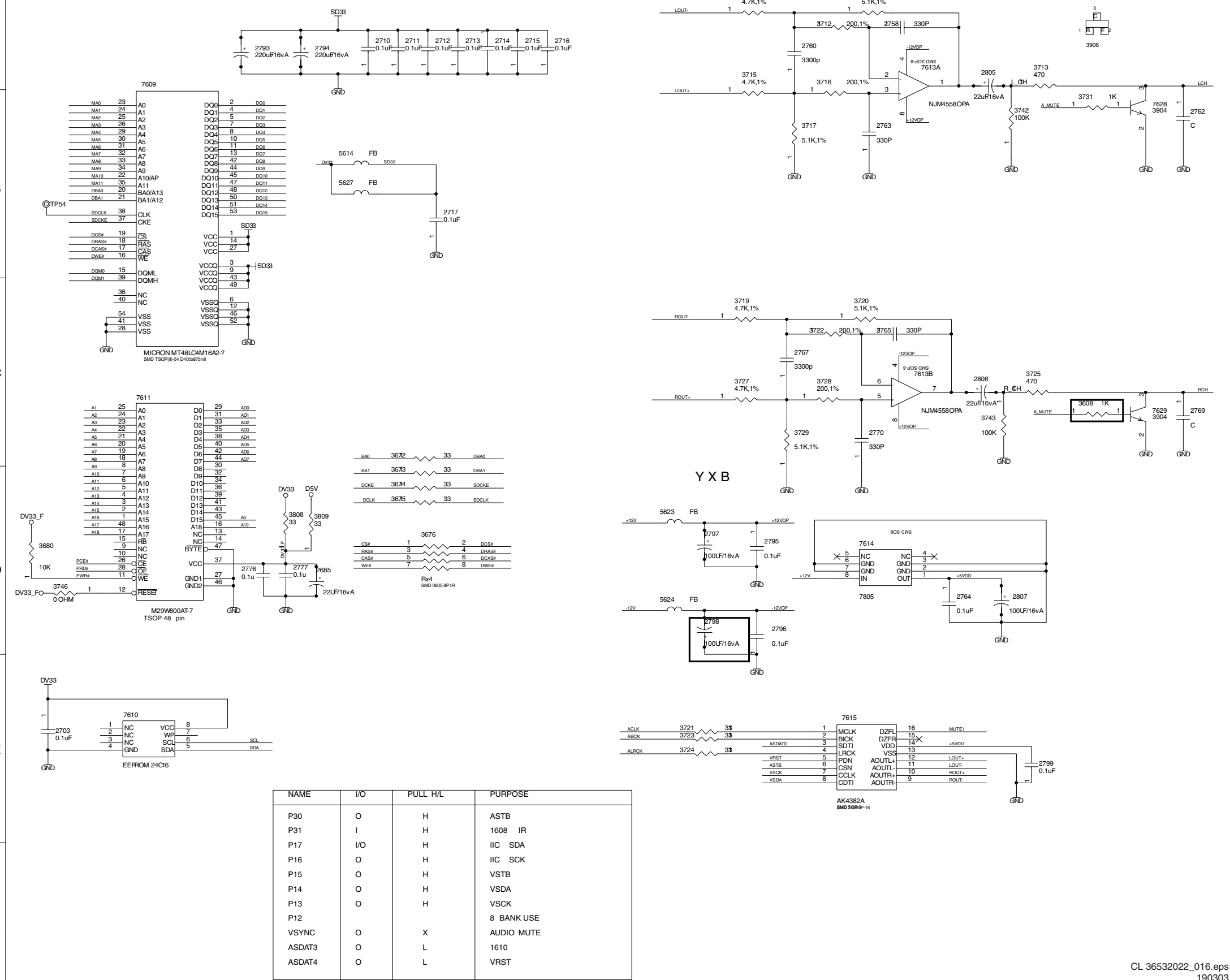


MPEG Board: Memory & Audio Parts

M 4 MEMORY & AUDIO PARTS

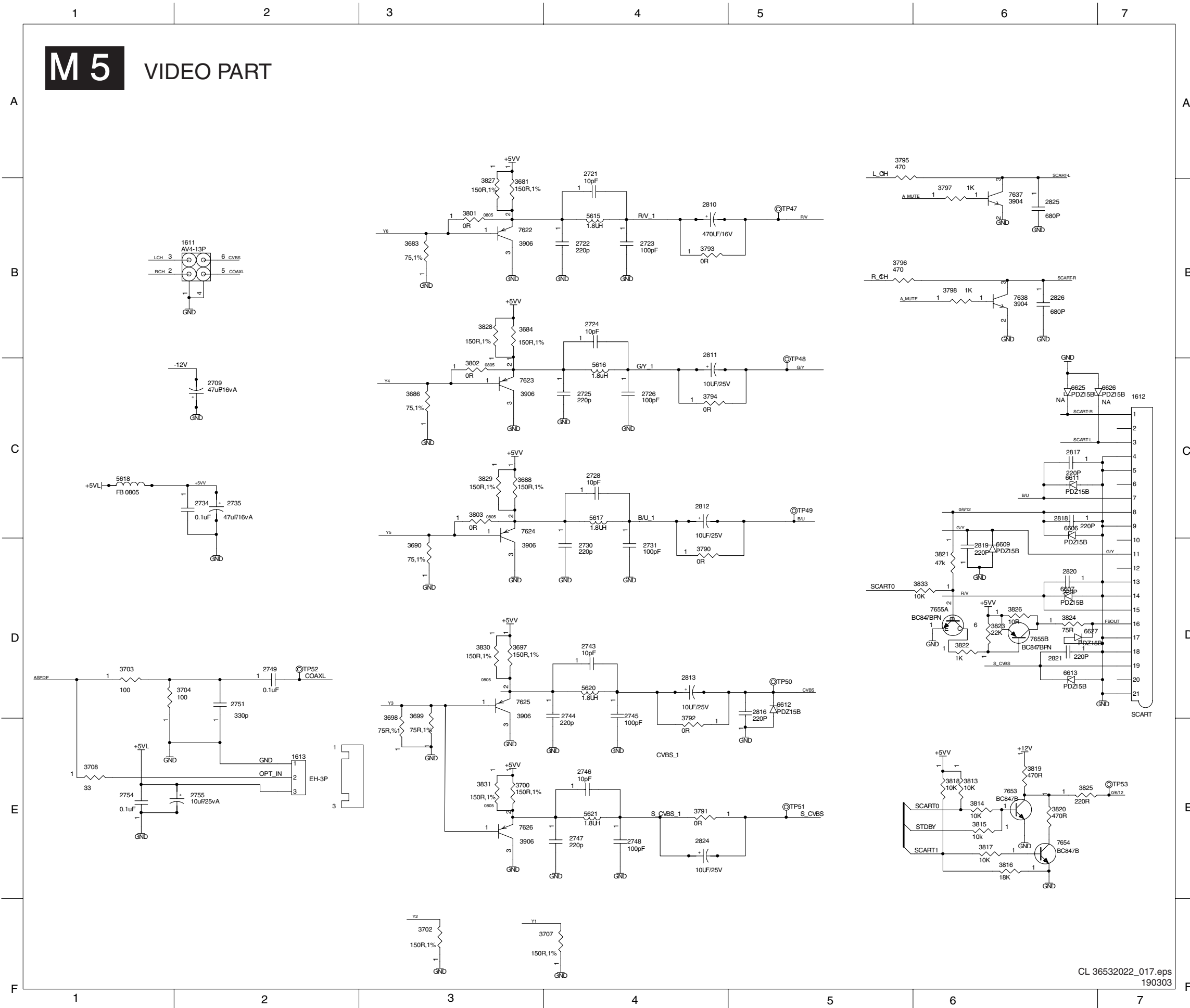
A  
B  
C  
D  
E  
F

2685 D2  
2703 E1  
2710 A2  
2711 A3  
2712 A3  
2713 A3  
2714 A3  
2715 A3  
2716 A3  
2717 B3  
2758 A5  
2760 A5  
2762 B7  
2763 B5  
2764 D5  
2765 C5  
2767 C5  
2769 C7  
2770 C5  
2776 D2  
2777 D2  
2793 A2  
2794 A2  
2795 D4  
2796 D5  
2797 D4  
2798 D4  
2799 E6  
2805 B6  
2806 C6  
2807 D6  
3608 C6  
3672 C3  
3673 D3  
3674 D3  
3675 D3  
3676 D3  
3680 D1  
3710 A4  
3711 A5  
3712 A5  
3713 B6  
3715 B4  
3716 B5  
3717 B5  
3719 C4  
3720 C5  
3721 E4  
3722 C5  
3723 E4  
3724 E4  
3725 C6  
3727 C4  
3728 C5  
3729 C5  
3731 B6  
3742 B6  
3743 C6  
3746 D1  
3808 D2  
3809 D2  
5614 B2  
5623 D4  
5624 D4  
5627 B2  
7609 B1  
7610 E1  
7611 C1  
7613 B5  
7613 C5  
7614 D5  
7615 E5  
7628 B6  
7629 C6  
TP54 B1



MPEG Board: Video Part

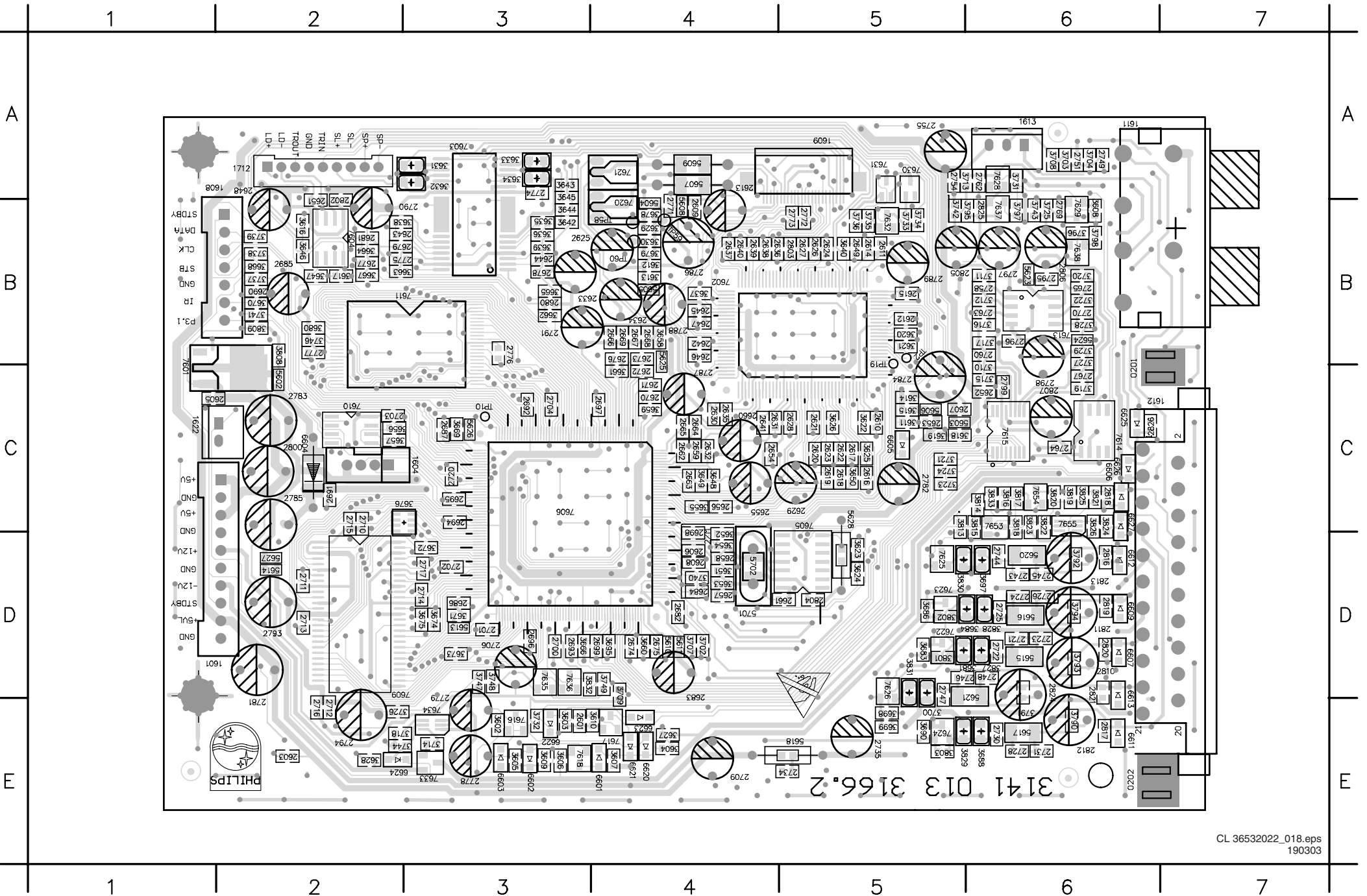
**M5** VIDEO PART



- 1611 B2
- 1612 C7
- 1613 E2
- 2709 C2
- 2721 B4
- 2722 B4
- 2723 B4
- 2724 B4
- 2725 C4
- 2726 C4
- 2728 C4
- 2730 D4
- 2731 D4
- 2734 C2
- 2735 C2
- 2743 D4
- 2744 D4
- 2745 D4
- 2746 E4
- 2747 E4
- 2748 E4
- 2749 D2
- 2751 D2
- 2754 E1
- 2755 E1
- 2810 B4
- 2811 C4
- 2812 C4
- 2813 D4
- 2816 D5
- 2817 C6
- 2818 C6
- 2819 D6
- 2820 D6
- 2821 D6
- 2824 E4
- 2825 B6
- 2826 B6
- 3681 B3
- 3683 B3
- 3684 B3
- 3686 C3
- 3688 C3
- 3690 D3
- 3697 D3
- 3698 E3
- 3699 E3
- 3700 E3
- 3702 F3
- 3703 D1
- 3704 D2
- 3707 F4
- 3708 E1
- 3790 D4
- 3791 E4
- 3792 D4
- 3793 B4
- 3794 C4
- 3795 B5
- 3796 B5
- 3797 B6
- 3798 B6
- 3801 B3
- 3802 C3
- 3803 C3
- 3813 E6
- 3814 E6
- 3815 E6
- 3816 E6
- 3817 E6
- 3818 E6
- 3819 E6
- 3820 E6
- 3821 D6
- 3822 D6
- 3823 D6
- 3824 D6
- 3825 E6
- 3826 D6
- 3827 B3
- 3828 B3
- 3829 C3
- 3830 D3
- 3831 E3
- 3833 D6
- 5615 B4
- 5616 C4
- 5617 C4
- 5618 C1
- 5620 D4
- 5621 E4
- 6606 C6
- 6607 D6
- 6609 D6
- 6611 C6
- 6612 E5
- 6613 D6
- 6625 C6
- 6626 C7
- 6627 D6
- 7622 B3
- 7623 C3
- 7624 C3
- 7625 D3
- 7626 E3
- 7637 B6
- 7638 B6
- 7653 E6
- 7654 E6
- 7655 D6
- 7656 D6
- 7657 D6
- 7658 D6
- 7659 D6
- 7660 D6
- 7661 D6
- 7662 D6
- 7663 D6
- 7664 D6
- 7665 D6
- 7666 D6
- 7667 D6
- 7668 D6
- 7669 D6
- 7670 D6
- 7671 D6
- 7672 D6
- 7673 D6
- 7674 D6
- 7675 D6
- 7676 D6
- 7677 D6
- 7678 D6
- 7679 D6
- 7680 D6
- 7681 D6
- 7682 D6
- 7683 D6
- 7684 D6
- 7685 D6
- 7686 D6
- 7687 D6
- 7688 D6
- 7689 D6
- 7690 D6
- 7691 D6
- 7692 D6
- 7693 D6
- 7694 D6
- 7695 D6
- 7696 D6
- 7697 D6
- 7698 D6
- 7699 D6
- 7700 D6
- 7701 D6
- 7702 D6
- 7703 D6
- 7704 D6
- 7705 D6
- 7706 D6
- 7707 D6
- 7708 D6
- 7709 D6
- 7710 D6
- 7711 D6
- 7712 D6
- 7713 D6
- 7714 D6
- 7715 D6
- 7716 D6
- 7717 D6
- 7718 D6
- 7719 D6
- 7720 D6
- 7721 D6
- 7722 D6
- 7723 D6
- 7724 D6
- 7725 D6
- 7726 D6
- 7727 D6
- 7728 D6
- 7729 D6
- 7730 D6
- 7731 D6
- 7732 D6
- 7733 D6
- 7734 D6
- 7735 D6
- 7736 D6
- 7737 D6
- 7738 D6
- 7739 D6
- 7740 D6
- 7741 D6
- 7742 D6
- 7743 D6
- 7744 D6
- 7745 D6
- 7746 D6
- 7747 D6
- 7748 D6
- 7749 D6
- 7750 D6
- 7751 D6
- 7752 D6
- 7753 D6
- 7754 D6
- 7755 D6
- 7756 D6
- 7757 D6
- 7758 D6
- 7759 D6
- 7760 D6
- 7761 D6
- 7762 D6
- 7763 D6
- 7764 D6
- 7765 D6
- 7766 D6
- 7767 D6
- 7768 D6
- 7769 D6
- 7770 D6
- 7771 D6
- 7772 D6
- 7773 D6
- 7774 D6
- 7775 D6
- 7776 D6
- 7777 D6
- 7778 D6
- 7779 D6
- 7780 D6
- 7781 D6
- 7782 D6
- 7783 D6
- 7784 D6
- 7785 D6
- 7786 D6
- 7787 D6
- 7788 D6
- 7789 D6
- 7790 D6
- 7791 D6
- 7792 D6
- 7793 D6
- 7794 D6
- 7795 D6
- 7796 D6
- 7797 D6
- 7798 D6
- 7799 D6
- 7800 D6

Layout MPEG Board (Top Side)

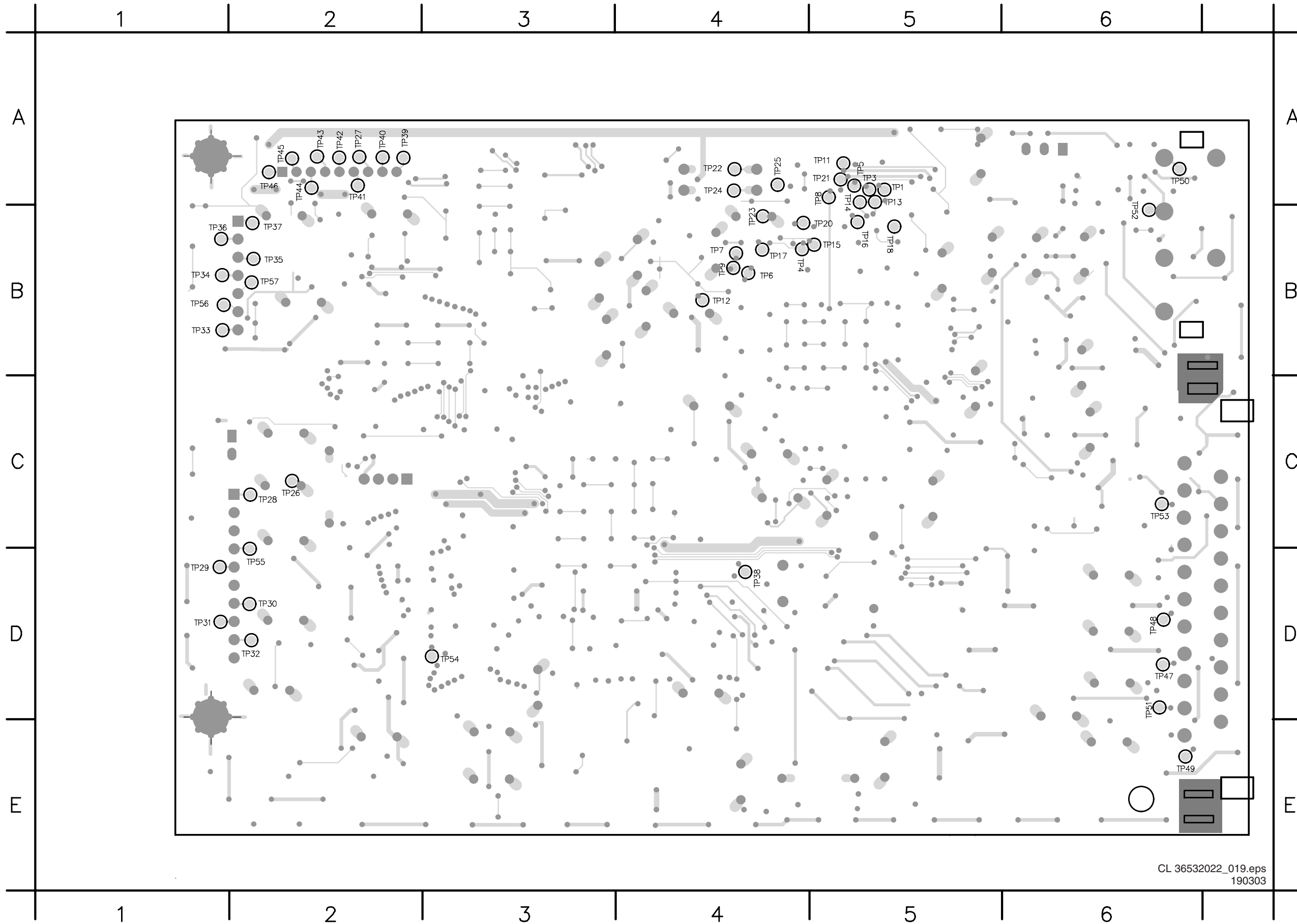
1601 D2	2608 D4	2622 C5	2636 B4	2651 B2	2665 C4	2679 B2	2695 C3	2712 E2	2730 E6	2730 E6	2758 B6	2776 B3	2791 B3	2807 C6	3602 E3	3661 C4	3733 B5	5609 A4	7625 D
1604 C2	2609 B4	2623 C5	2637 B4	2652 C6	2666 B4	2680 B3	2696 D3	2713 D2	2731 E6	2731 E6	2760 B6	2777 B2	2793 D2	2810 D6	3603 E3	3662 B3	3734 B5	5610 D4	7626 D
1608 B2	2610 C5	2624 B5	2638 B4	2653 C5	2667 B4	2681 B2	2697 C4	2714 D3	2734 E5	2734 E5	2762 A6	2778 E3	2794 E2	2811 D6	3604 E4	3663 B2	3735 B5	5611 D4	7628 A
1609 A5	2611 B5	2625 B4	2639 B4	2654 C4	2668 B4	2682 D4	2698 D4	2715 C2	2735 E5	2735 E5	2763 B6	2779 E3	2795 B6	2812 E6	3605 E3	3664 B2	3736 B5	5613 D3	7629 B
1611 B6	2612 B5	2626 B5	2640 B4	2655 C4	2669 B4	2683 D4	2699 D4	2716 E2	2743 D6	2743 D6	2764 C6	2781 D2	2796 B6	2813 D6	3606 E3	3665 B3	3737 B2	5614 D2	7630 A
1612 D7	2613 B4	2627 B5	2641 C4	2656 C4	2670 C4	2684 D4	2700 D3	2717 D3	2744 D6	2744 D6	2765 B6	2782 C5	2797 B6	2816 D6	3607 E4	3666 D3	3738 B2	5615 D6	7631 A
1613 A6	2614 B5	2628 C5	2642 B4	2657 D4	2671 C4	2685 B2	2701 D3	2720 C3	2745 D6	2745 D6	2767 C6	2783 C2	2798 B6	2817 E6	3608 B6	3667 B2	3739 B2	5616 D6	7632 B
1622 C2	2615 B5	2629 C5	2643 B2	2658 D4	2672 C4	2686 D3	2702 D3	2721 D6	2746 D5	2746 D5	2769 B6	2784 C5	2799 C6	2818 C6	3609 E3	3668 B2	3740 D4	5617 E6	7633 E
1712 A2	2616 C5	2630 C4	2644 B3	2659 C4	2673 B4	2687 C3	2703 C2	2722 D6	2747 D5	2747 D5	2770 B6	2785 C2	2800 C2	2819 D6	3610 E4	3669 C3	3741 B2	5618 E5	7634 E
2601 E3	2617 C5	2631 C4	2645 B4	2660 C4	2674 D4	2690 B2	2704 C3	2723 D6	2748 D6	2748 D6	2771 B4	2786 B4	2802 B2	2820 D6	3611 C5	3670 B2	3742 B5	5620 D6	7635 D
2603 E2	2618 C5	2632 C4	2646 B4	2661 D5	2675 D4	2691 C2	2706 D3	2724 D6	2749 A6	2749 A6	2772 B5	2787 C4	2803 B5	2821 D6	3612 B4	3671 D3	3743 B6	5621 D6	7636 D
2605 C1	2619 C5	2633 B3	2647 B4	2662 C4	2676 B4	2692 C3	2709 E4	2725 D6	2751 A6	2751 A6	2773 B5	2788 B4	2804 D5	2824 D6	3613 B4	3672 D3	3744 E2	5623 B6	7637 B
2606 D4	2620 C5	2634 B4	2648 B2	2663 C4	2677 B2	2693 D3	2710 C2	2726 D6	2754 A5	2754 A5	2774 A3	2789 B5	2805 B5	2825 B6	3614 C5	3673 D3	3746 B2	5624 B6	7638 B
2607 C5	2621 C5	2635 C4	2649 B5	2664 C4	2678 B3	2694 C3	2711 D2	2728 E6	2755 A5	2755 A5	2775 B2	2790 B2	2806 B6	2826 C6	3615 C5	3674 D3	3747 D3	5625 B4	7653 C



3616 B2	3675 D3	3748 D3	5626 C3	7654 C
3617 B2	3676 C3	3749 D4	5627 D2	7655 C
3618 C5	3678 B4	3790 E6	5628 D5	TP2 B
3619 C5	3679 B4	3791 D6	5701 D4	TP10 C
3620 B5	3680 B2	3792 D6	5702 D4	TP19 B
3621 B5	3681 D5	3793 D6	6601 E4	TP58 B
3622 C5	3683 D5	3794 D6	6602 E3	TP59 B
3623 D5	3684 D6	3795 B6	6603 E3	TP60 B
3624 D5	3686 D5	3796 B6	6604 C2	
3625 C5	3688 E6	3797 B6	6605 C5	
3626 C5	3690 E5	3798 B6	6606 C6	
3627 E4	3695 D4	3801 D5	6607 D6	
3628 E2	3697 D6	3802 D5	6609 D6	
3629 B4	3698 E5	3803 E5	6611 E6	
3630 B4	3699 E5	3808 B2	6612 D6	
3631 A3	3700 D5	3809 B2	6613 D6	
3632 A3	3702 D4	3813 C5	6620 E4	
3633 A3	3703 A6	3814 C6	6621 E4	
3634 A3	3704 A6	3815 C6	6622 E3	
3635 B3	3707 D4	3816 C6	6623 E4	
3636 B3	3708 A6	3817 C6	6624 E2	
3637 B4	3709 D4	3818 C6	6625 C6	
3638 B2	3710 C6	3819 C6	6626 C6	
3639 B3	3711 B6	3820 C6	6627 C6	
3640 B5	3712 B6	3821 C6	7601 C2	
3642 B3	3713 A6	3822 C6	7602 B5	
3643 A3	3714 E3	3823 C6	7603 B3	
3644 B3	3715 C6	3824 C6	7604 B2	
3645 A3	3716 B6	3825 C6	7605 D5	
3646 B2	3717 B6	3826 C6	7606 C3	
3647 B2	3718 E2	3827 D6	7609 D2	
3648 C4	3719 C6	3828 D6	7610 C2	
3649 C4	3720 B6	3829 E5	7611 B3	
3650 C5	3721 C5	3830 D5	7613 B6	
3651 D4	3722 B6	3831 D5	7614 C6	
3652 D4	3723 C5	3832 D3	7615 C6	
3653 D4	3724 C5	3833 C6	7616 E3	
3654 D4	3725 B6	5602 C2	7617 E4	
3655 C4	3726 E2	5603 C5	7618 E3	
3656 C2	3727 B6	5604 B4	7620 B4	
3657 C2	3728 B6	5605 B4	7621 A4	
3658 B4	3729 B6	5606 C5	7622 D5	
3659 C4	3731 A6	5607 A4	7623 D5	
3660 D4	3732 E3	5608 B4	7624 E5	

CL 36532022\_018.eps  
190303

Layout MPEG Board (Bottom Side)



TP1	A5
TP3	A5
TP4	B4
TP5	A5
TP6	B4
TP7	B4
TP8	A5
TP9	B4
TP11	A5
TP12	B4
TP13	A5
TP14	A5
TP15	B5
TP16	B5
TP17	B4
TP18	B5
TP20	B4
TP21	A5
TP22	A4
TP23	B4
TP24	A4
TP25	A4
TP26	C2
TP27	A2
TP28	C2
TP29	D1
TP30	D2
TP31	D1
TP32	D2
TP33	B1
TP34	B1
TP35	B2
TP36	B1
TP37	B2
TP38	D4
TP39	A2
TP40	A2
TP41	A2
TP42	A2
TP43	A2
TP44	A2
TP45	A2
TP46	A2
TP47	D6
TP48	D6
TP49	E6
TP50	A6
TP51	D6
TP52	B6
TP53	C6
TP54	D3
TP55	D2
TP56	B1
TP57	B2



## 8. Alignments

Not applicable.

## 9. Circuit Descriptions, List of Abbreviations, and IC Data

Not applicable.





3668	4822 051 30008	0Ω jumper	3831	5322 117 13058	150Ω 1% 0.063W 0603 RC22H	7653	5322 130 60159	BC846B
3669	4822 117 13608	4.7Ω 5% 0603 0.0016W				7654	5322 130 60159	BC846B
3670	4822 051 30109	10Ω 5% 0.062W						
3671	4822 117 13608	4.7Ω 5% 0603 0.0016W						
3672	4822 051 30339	33Ω 5% 0.062W						
3673	4822 051 30339	33Ω 5% 0.062W						
3674	4822 051 30339	33Ω 5% 0.062W	5602	4822 157 11499	BLM11P600SPT			
3675	4822 051 30339	33Ω 5% 0.062W	5603	2422 549 45186	IND FXD 0805 EMI 100mH z 60R R			
3676	4822 117 13576	NETW 4 X 33Ω 5% 1206	5604	2422 549 45186	IND FXD 0805 EMI 100mH z 60R R			
3680	4822 051 30103	10k 5% 0.062W	5607	2422 535 96508	IND FXD SM 1210 10U PM10 R			
3683	5322 117 13055	75Ω 1% 0.063W 0603 RC22H	5608	2422 549 45186	IND FXD 0805 EMI 100mH z 60R R			
3686	5322 117 13055	75Ω 1% 0.063W 0603 RC22H	5609	2422 535 96508	IND FXD SM 1210 10U PM10 R			
3690	5322 117 13055	75Ω 1% 0.063W 0603 RC22H	5610	4822 157 11499	BLM11P600SPT			
3697	5322 117 13058	150Ω 1% 0.063W 0603 RC22H	5611	4822 157 11499	BLM11P600SPT			
3698	5322 117 13055	75Ω 1% 0.063W 0603 RC22H	5613	4822 157 11499	BLM11P600SPT			
3699	5322 117 13055	75Ω 1% 0.063W 0603 RC22H	5614	4822 157 11499	BLM11P600SPT			
3700	5322 117 13058	150Ω 1% 0.063W 0603 RC22H	5615	2422 535 96508	IND FXD SM 1210 10U PM10 R			
3702	5322 117 13055	75Ω 1% 0.063W 0603 RC22H	5616	2422 535 96508	IND FXD SM 1210 10U PM10 R			
3703	4822 051 30101	100Ω 5% 0.062W	5617	2422 535 96508	IND FXD SM 1210 10U PM10 R			
3704	4822 051 30101	100Ω 5% 0.062W	5618	2422 549 45186	IND FXD 0805 EMI 100mH z 60R R			
3707	5322 117 13055	75Ω 1% 0.063W 0603 RC22H	5620	2422 535 96508	IND FXD SM 1210 10U PM10 R			
3708	4822 051 30339	33Ω 5% 0.062W	5621	2422 535 96508	IND FXD SM 1210 10U PM10 R			
3709	4822 051 30103	10k 5% 0.062W	5623	4822 051 30151	150R00 5% 0.062W			
3710	4822 051 30472	4k7 5% 0.062W	5624	4822 051 30151	150R00 5% 0.062W			
3711	3198 021 35120	RST SM 0603 5k1 PM5 COL	5625	4822 157 11499	BLM11P600SPT			
3712	5322 117 13049	470Ω 1% 0.063W 0603 RC22H	5626	4822 157 11499	BLM11P600SPT			
3713	4822 051 30471	470Ω 5% 0.062W	5627	4822 157 11499	BLM11P600SPT			
3714	4822 051 30102	1k 5% 0.062W	5701	3141 018 80600	CRYSTAL QUARTZ 27M FUNDAMENTAL			
3715	4822 051 30472	4k7 5% 0.062W						
3716	5322 117 13049	470Ω 1% 0.063W 0603 RC22H						
3717	3198 021 35120	RST SM 0603 5k1 PM5 COL						
3718	4822 051 30472	4k7 5% 0.062W						
3719	4822 051 30472	4k7 5% 0.062W						
3720	3198 021 35120	RST SM 0603 5k1 PM5 COL						
3721	4822 051 30339	33Ω 5% 0.062W						
3722	5322 117 13049	470Ω 1% 0.063W 0603 RC22H						
3723	4822 051 30339	33Ω 5% 0.062W						
3724	4822 051 30339	33Ω 5% 0.062W						
3725	4822 051 30471	470Ω 5% 0.062W						
3726	4822 051 30103	10k 5% 0.062W						
3727	4822 051 30472	4k7 5% 0.062W						
3728	5322 117 13049	470Ω 1% 0.063W 0603 RC22H						
3729	3198 021 35120	RST SM 0603 5k1 PM5 COL						
3731	4822 051 30102	1k 5% 0.062W						
3732	4822 051 30103	10k 5% 0.062W						
3733	4822 117 13632	100k 1% 0603 0.62W						
3734	4822 051 30103	10k 5% 0.062W						
3735	4822 051 30103	10k 5% 0.062W						
3736	4822 117 13632	100k 1% 0603 0.62W						
3737	4822 051 30103	10k 5% 0.062W						
3739	4822 051 30103	10k 5% 0.062W						
3740	4822 051 30102	1k 5% 0.062W						
3741	4822 051 30103	10k 5% 0.062W						
3742	4822 051 30103	10k 5% 0.062W						
3743	4822 051 30103	10k 5% 0.062W						
3744	4822 051 30472	4k7 5% 0.062W						
3746	4822 051 30008	0Ω jumper						
3791	4822 051 30008	0Ω jumper						
3792	4822 051 30008	0Ω jumper						
3795	4822 051 30471	470Ω 5% 0.062W						
3796	4822 051 30471	470Ω 5% 0.062W						
3797	4822 051 30102	1k 5% 0.062W						
3798	4822 051 30102	1k 5% 0.062W						
3801	4822 051 30008	0Ω jumper						
3802	4822 051 30008	0Ω jumper						
3803	4822 051 30008	0Ω jumper						
3808	4822 051 30339	33Ω 5% 0.062W						
3813	4822 051 30103	10k 5% 0.062W						
3814	4822 051 30103	10k 5% 0.062W						
3815	4822 051 30103	10k 5% 0.062W						
3816	4822 051 30183	18k 5% 0.062W						
3817	4822 051 30103	10k 5% 0.062W						
3818	4822 051 30103	10k 5% 0.062W						
3819	4822 051 30471	470Ω 5% 0.062W						
3820	4822 051 30471	470Ω 5% 0.062W						
3824	5322 117 13055	75Ω 1% 0.063W 0603 RC22H						
3825	4822 051 30221	220Ω 5% 0.062W						
3826	4822 051 30109	10Ω 5% 0.062W						
3830	5322 117 13058	150Ω 1% 0.063W 0603 RC22H						
5001▲	3141 018 71300	MAIN CORD M7.92VH 1.60M						

## Front PSU

## Various

0200	3141 017 78041	FRONT ASSY DVD625/001
0260	4822 532 60948	
1001	3122 429 00131	PSU DVD CHEETAH 4 EURO NON-ECO
1004	3141 018 03841	PBAS FRONT DVD625

## Front Assy

## Various

0010	3141 017 78051	CAB FRONT DVD625/001 PNT PRT
0030	3141 017 78031	LENS WINDOW DVD625/001 PRT
0040	3141 017 77150	BUTTON TREE DVD625K PNT PRT
0050	3141 017 77140	BUTTON POWER DVD625K PNT PRT
0207	3141 017 78061	DOOR TRAY ASSY DVD625/001

## Frame Assy

## Various

0221	8204 055 76161	SPACER LOCKING KGLS-4S B
0244	3139 243 10080	CUSHION FOOT

## Front PCB

## Various

0041	3141 014 25380	FTD HOLDER DVD625K
1201	3141 010 30480	SOC MPHONE H 1P F 3.5 BL B
1400	3141 010 50220	VFD 20-0704N (ZEC)
1400	3141 010 50290	VFD HNV-07SS45T (SAMSUNG)
1401	3141 010 21551	CWAS 07EH/07SAN 180 7 WH 26S
1402	3141 010 21442	CWAS 02EH/02SAN 420 2 WH 26S
1403	3141 010 21451	CWAS 05EH/05SAN 140 5 WH 26S
1411	4822 276 13114	
1412	4822 276 13114	
1413	4822 276 13114	
1414	4822 276 13114	

2401	4822 126 14238	0603 50V 2N2 COL R
2402	2238 586 59812	0603 50V 100NP80M
2403	3139 028 24790	EL 5MM 16V S 47μF PM20 COL A
2405	2238 586 59812	0603 50V 100NP80M
2407	2238 586 59812	0603 50V 100NP80M
2409	4822 126 14549	33nF 16V O6O3
2411	4822 124 81151	22μF 50V
2412	4822 124 81151	22μF 50V
2413	4822 122 33761	22pF 5% 50V
2414	2238 586 59812	0603 50V 100NP80M
2415	4822 124 81151	22μF 50V

## -W-

3401	4822 051 30333	33k 5% 0.062W
3402	4822 051 30103	10k 5% 0.062W
3403	4822 051 30103	10k 5% 0.062W
3404	4822 051 30103	10k 5% 0.062W
3405	4822 051 30102	1k 5% 0.062W
3406	4822 051 30103	10k 5% 0.062W
3407	4822 051 30479	47Ω 5% 0.062W

3409	4822 051 30472	4k7 5% 0.062W
3410	4822 051 30472	4k7 5% 0.062W
3411	4822 051 30472	4k7 5% 0.062W
3414	4822 117 13608	4.7Ω 5% 0.0603 0.0016W
3415	4822 051 30101	100Ω 5% 0.062W
3416	4822 051 30101	100Ω 5% 0.062W
3417	4822 051 30101	100Ω 5% 0.062W
3418	4822 051 30109	10Ω 5% 0.062W
3420	4822 051 30331	330Ω 5% 0.062W
3421	4822 051 30471	470Ω 5% 0.062W
3422	4822 051 30103	10k 5% 0.062W
3423	4822 051 30331	330Ω 5% 0.062W
3424	4822 051 30331	330Ω 5% 0.062W
3425	4822 051 30472	4k7 5% 0.062W
3426	4822 051 30472	4k7 5% 0.062W
3427	4822 051 30103	10k 5% 0.062W
3428	4822 051 30471	470Ω 5% 0.062W
3430	4822 051 30471	470Ω 5% 0.062W
3441	4822 051 20008	0Ω jumper . (0805)
3442	4822 051 20008	0Ω jumper . (0805)
3443	4822 051 20008	0Ω jumper . (0805)
3444	4822 051 20008	0Ω jumper . (0805)
3445	4822 051 20008	0Ω jumper . (0805)
3446	4822 051 20008	0Ω jumper . (0805)
3447	4822 051 30008	0Ω jumper
3448	4822 051 20008	0Ω jumper . (0805)
3450	4822 051 20008	0Ω jumper . (0805)
3452	4822 051 20008	0Ω jumper . (0805)
3453	4822 051 30008	0Ω jumper
3455	4822 051 20008	0Ω jumper . (0805)
3456	4822 051 20008	0Ω jumper . (0805)
3457	4822 051 20008	0Ω jumper . (0805)



6400	4822 130 11397	BAS316
6401	4822 130 34167	BZX79-B6V2



7400	8241 010 40440	IC PT6312 QFP44
7401	5322 130 60159	BC846B
7402	4822 130 60373	BC856B
7403	5322 130 60159	BC846B
7404	3141 010 50260	IR RECEIVER HK361BT-16
7405	3141 018 80801	LED RED DIF LTL-4221N-011
8400	3141 010 21442	CWAS 02EH/02SAN 420 2 WH 26S
8402	3141 010 21551	CWAS 07EH/07SAN 180 7 WH 26S
8403	3141 010 21451	CWAS 05EH/05SAN 140 5 WH 26S

## DVD625/051

### Various

0200	3141 017 78041	FRONT ASSY DVD625/001
0260	4822 532 60948	
1001	3122 429 00131	PSU DVD CHEETAH 4 EURO NON-ECO
1004	3141 018 03841	PBAS FRONT DVD625



5001▲	4822 321 11207	MAINS CORD & FUSE 14" GB /05
-------	----------------	------------------------------

# 11. Revision List

First release